

 **STEPR** PRO+

**USER MANUAL**

# TABLE OF CONTENTS

WARNINGS AND SAFETY INFORMATION	02
ASSEMBLY	11
MOVING THE STEPR	23
GROUNDING METHODS	25
APP ONBOARDING PROCESS	26
PROPER USAGE	28
CLASS SCREEN	32
CARE AND MAINTENANCE	35
EXPLODED DRAWING	36
PARTS LIST	37

# **IMPORTANT SAFETY INSTRUCTION!**

When operating the STEPR, it is essential to follow basic safety measures. This includes the following:

Please read this manual thoroughly and retain it for future reference. Your safety and the longevity of your STEPR stairclimber depend on your adherence to these guidelines.

## ***DANGER - To minimize the risk of electric shock:***

- 1.** Always remember to unplug the STEPR from the electrical outlet immediately after use and before cleaning.

## ***WARNING - To reduce the risk of burns, fire, electric shock, or injury to persons:***

- 1.** Never leave the STEPR unattended when it is plugged in. Always unplug it from the outlet when not in use and before attaching or removing parts.
- 2.** Use this STEPR solely for its intended purpose as described in this manual. Do not use any attachments that are not recommended by the manufacturer.
- 3.** Do not operate the STEPR if the cord or plug is damaged, if it is not functioning correctly, if it has been dropped or damaged, or if it has fallen into water. In such cases, immediately return the STEPR to an authorized service center for examination and repair.
- 4.** Keep the cord away from heated surfaces to prevent damage and potential hazards.

## **IMPORTANT SAFETY INSTRUCTION!**

5. the STEPR is designed for indoor use only. Do not use it outdoors.
6. Avoid operating the STEPR in areas where aerosol (spray) products are being used or where oxygen is being administered, as it may pose a safety risk.
7. To disconnect the STEPR, first, turn it off, and then remove the plug from the electrical outlet.
8. Connect the STEPR only to a properly grounded outlet as per the grounding instructions provided.
9. The STEPR is not suitable for use by individuals with reduced physical, sensory, or mental capabilities or those lacking experience and knowledge, unless they have received proper supervision or instruction from a responsible person regarding its safe usage. Keep children under the age of 13 away from this machine.
10. Do not carry the STEPR by its supply cord, nor should you use the cord as a handle. This can damage the cord and may lead to hazardous situations.
11. If you are uncertain about any aspect of assembly, maintenance, or use, please consult with a qualified professional or contact STEPR's customer support.

## **SAVE THESE INSTRUCTIONS**

Please note that the specifications of the STEPR may vary slightly from the illustrations provided and are subject to change without prior notice.



# WARNING

Before using the STEPR, carefully read all provided instructions in the owner's manual. Keep the manual for future reference.

During the assembly process, pay special attention to several areas. It is crucial to follow the assembly instructions accurately and ensure all parts are firmly tightened. Failure to do so may result in loose parts and irritating noises. To avoid damage to the STEPR, thoroughly review the assembly instructions and take corrective actions if necessary.

Never operate the STEPR if the cord or plug is damaged, if it is not functioning correctly, if it has been damaged, or if it has been immersed in water. Operating the STEPR under such conditions may lead to safety hazards.

In the event of an emergency, immediately activate the "emergency stop button" to stop the STEPR's operation.

Caution: Carefully read the assembly instructions and strictly follow them while assembling the STEPR.

By using the STEPR, the user agrees to indemnify and hold harmless STEPR and its representatives from any claims, actions, damages, or losses that may arise from the user's negligence, misuse, or failure to follow the instructions and warnings provided herein.

IMPORTER: **STEPR, INC**  
ADD: 300 Delaware Ave. Suite 210 #524  
Wilmington, DE 19801, United States

# ATTENTION

1. Before starting any exercise program, consult with your physician or a health professional to ensure it is suitable for your health condition.
2. If you have high blood pressure or any other medical condition, consult with a doctor before engaging in any exercise activities.
3. Prior to use, check and ensure all bolts are securely locked to prevent accidents during exercise.
4. Never place the STEPR in a wet area to avoid operational issues or malfunctions.
5. The manufacturer takes no responsibility for any troubles or injuries caused due to failure to follow the mentioned guidelines.
6. Always wear appropriate sports clothes and shoes before using the STEPR.
7. While working out, avoid placing your hands and feet underneath the STEPR or within the stairs to prevent any pinching incidents
8. To reduce the risk of injuries, perform warm-up exercises before starting your workout routine.
9. The STEPR is intended for adult use only and should be used indoors.
10. Provide adequate care, guidance, and supervision for older adults, children, and individuals with disabilities using the STEPR.
11. Do not plug any other devices into the STEPR, as it may cause damage or electrical hazards.

# ATTENTION

12. Avoid connecting lines to the middle of the cable, altering the cable plug, putting heavy objects on the cable, or placing it near heat sources to prevent fire hazards or injuries.
13. Always turn Screen prior to moving the STEPR
14. Always cut off the power supply when the STEPR is not in use. When turning off the power, avoid pulling the power line to keep it from breaking.
15. **Minimum weight to start the StepR is 88 pounds (40 kilograms).** The maximum weight capacity for users is 400 pounds (180 kilograms). Do not exceed this weight limit to ensure safe usage.
16. The user is responsible for complying with all applicable local, state, and federal laws and regulations regarding the use, maintenance, and disposal of the STEPR stairclimber.
17. The STEPR is classified as: SC
18. Incorrect or excessive training may result in health injuries. The STEPR can be used by children aged 13 years and above, as well as individuals with reduced physical, sensory, or mental capabilities, provided they have received proper supervision or instruction on using the STEPR safely and understand the associated hazards.
19. Any modifications, misuse, or failure to follow the guidelines as outlined in this manual may void any applicable warranties, expressed or implied, related to the STEPR stairclimber.

# IMPORTANT SAFETY PRECAUTION

- If you experience any pain, chest pains, nausea, dizziness, or shortness of breath while exercising, stop immediately, and consult your physician before continuing.
- Always exercise at a comfortable pace to avoid overexertion or injury.
- Avoid wearing clothes that might catch on any part of the STEPR to prevent accidents.
- Always wear athletic shoes while using this STEPR to ensure proper foot support and stability.
- Refrain from jumping on the STEPR, as it may lead to damage or injuries.
- Only one person should be on the STEPR while it is in operation to prevent accidents or interference with its function.
- Do not use the STEPR if you exceed the specified weight limit (400lbs/180kgs), as doing so will void the warranty and may pose safety risks.
- Before servicing or moving the STEPR, ensure that all power is disconnected.
- For cleaning, use a slightly damp cloth with soap; avoid using solvents that could damage the STEPR.
- Never leave the STEPR unattended when it is plugged in. Unplug it from the outlet when not in use and before attaching or removing any parts.
- Do not operate the STEPR under a blanket or pillow, as excessive heating may occur, leading to potential fire, electric shock, or injury.

# IMPORTANT SAFETY PRECAUTION

- Connect the STEPR only to a properly grounded outlet to prevent electrical hazards.
- Children under the age of 13 and pets must not be within 10 feet of the machine at any time.
- Keep children under the age of 13 away from the STEPR. Teenagers using the STEPR should be supervised at all times.
- The STEPR is not intended for use by individuals with reduced physical, sensory, or mental capabilities, or lack of experience and knowledge, unless they have been provided with proper supervision or instruction by someone responsible for their safety.
- Use the STEPR solely for its intended purpose, as described in the owner's manual, to ensure safe and proper operation.
- Do not use attachments not recommended by the manufacturer, as they may cause injury or malfunction.
- Never operate the STEPR if it has a damaged cord or plug, if it is not functioning correctly, if it has been dropped or damaged, or if it has been immersed in water. In such cases, discontinue use and have it inspected by a qualified professional.
- Keep the power cord away from heated surfaces to avoid damage and potential hazards. Do not carry the STEPR by its supply cord or use the cord as a handle.

# IMPORTANT SAFETY PRECAUTION

- To prevent electrical shock, never drop or insert any object into any opening of the STEPR.
- Avoid operating the STEPR where aerosol (spray) products are being used or during oxygen administration to prevent potential hazards.
- To disconnect the STEPR, turn the power switch to the off position, and then remove the plug from the electrical outlet.
- Do not use the STEPR in locations that are not temperature-controlled, such as garages, porches, pool rooms, bathrooms, carports, or outdoors. Failure to comply may void the warranty.
- Console covers should not be removed unless instructed by Customer Tech Support. Service and repairs should only be performed by authorized service technicians.
- Ensure there is a minimum of 2 meters by 1 meter (approximately 6.5 feet by 3.3 feet) of free space behind the STEPR to allow for emergency dismounting.
- In case of any abnormality during use, press the emergency button and discontinue using the STEPR after it comes to a complete stop.
- If you observe any damage or wear on the mains plug or the mains lead, have them replaced immediately by a qualified electrician. Do not attempt to change or repair these components yourself.

# IMPORTANT SAFETY PRECAUTION

- If the supply cord is damaged, it must be replaced by the manufacturer, its service agent, or similarly qualified individuals to avoid potential hazards.
- Before dismounting this STEPR, ensure that it has come to a complete stop.
- The free area around the STEPR should be not less than 2x1 meters greater than the training area in all directions from which the STEPR is accessed. This free area must also include space for emergency dismounting.
- If multiple pieces of STEPR are positioned adjacent to each other, the value of the free area may be shared.
- The free area and training area should be visually illustrated with a dedicated figure to provide clear guidance.
- Children should be supervised at all times to ensure they do not play with or around the exercise STEPR.
- Cleaning and user maintenance should not be performed by children without adult supervision.
- For the safety, stability, and optimal performance of your STEPR, it is imperative to use only light and ultra-light bands on all upright anchor points and in all rear anchor points. Utilizing heavy bands or non-recommended accessories may result in tipping over, posing serious risks to users, bystanders, and surrounding property.

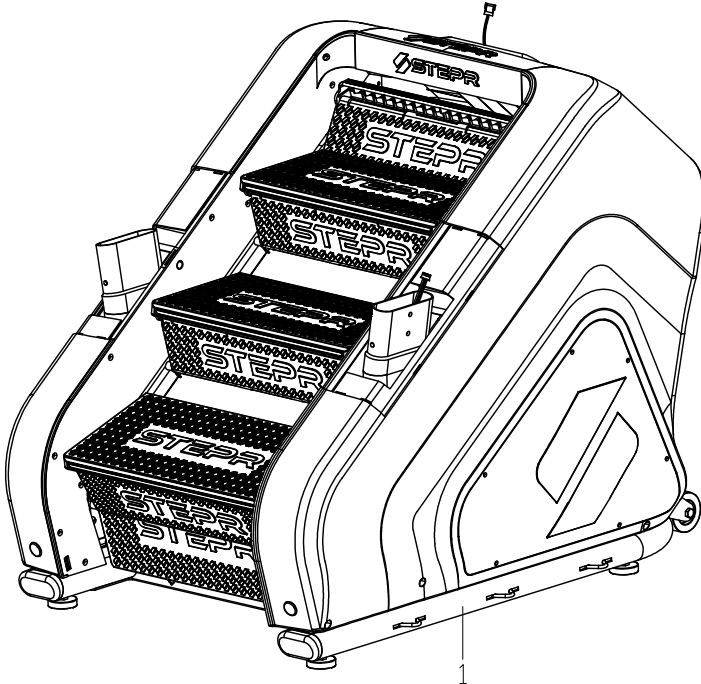
# ASSEMBLY STEPS

**Note:** The floor area of this STEPR is 49.6x32.8in (126x83.5cm) Product Net Weight: 380lbs (172kgs)

**Note:** At least 2 persons are required to assemble the STEPR.

## STEP 1

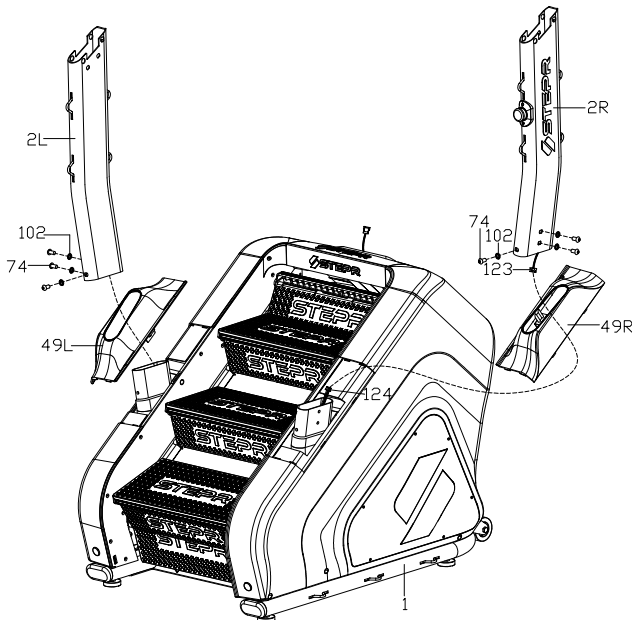
1. Open the package, take out all parts and unwrap carefully with special attention to the Console.
2. Place the Main Frame (1) on the flat ground. (Note: Handle with care as it's very heavy!)





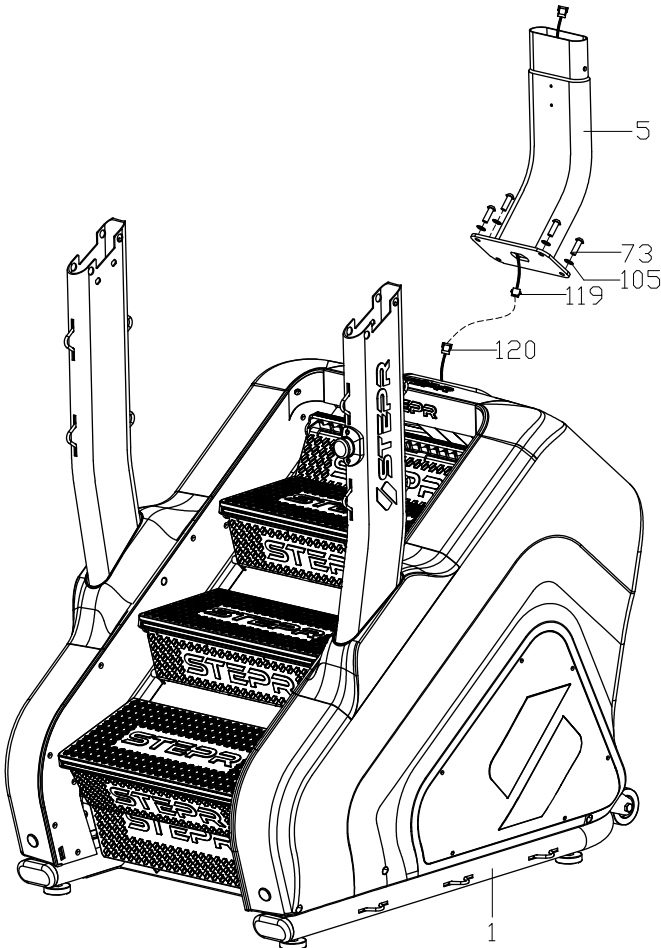
## STEP 2

1. Pass the Emergency Switch Upper Wire 2 (123) on the Right Upright Tube (2R) through the right Decorative Cover (49R) to connect with the Emergency Switch Lower Wire 2 (124) on the right of the Main Frame (1).
2. Insert the right Upright Tube (2R) through the right Decorative Cover (49R), then slide the Upright Tube onto Right lower tubes on the Main Frame (1) and store the wires inside the lower tube at the same time, lock with three M10\*20 Hex socket screws (74) and Ø10 Lock washers (102).  
(Note: Please don't tighten the screws or clip the Decorative Coers for now.)
3. Repeat the 2nd step to assemble the left Upright Tube (2L) and left Decorative Cover (49L), just no wires related.



## STEP 3

1. Connect the Console Lower Extension Wire (119) to the Console Lower Wire (120).
2. Attach the Lower Console Mast (5) to Main Frame (1) with four M10\*30 Hex socket screws (73) and four Ø10 flat washers (105). (Please don't tighten them for now)



## STEP 4

1. Hold the Console (132) carefully and align the position with Mounting Plate (6), then lock the Console to Mounting Plate with four M10\*20 Hex socket screws (74) and four  $\varnothing$ 10 Lock washers (102) securely.
2. Insert the Key board extension wire (128), Console upper extension wire (118), Wireless charging of the upper line (161), Switch lower wire (122) and Wireless pulse lower wire (126) into the corresponding sockets of the Socket board (131) (As shown in figure 1, 2).
3. Align the Console Cover Adornment (36) to the back of Console (132) and lock with five ST4\*16 Cross Tapping Screws (89).

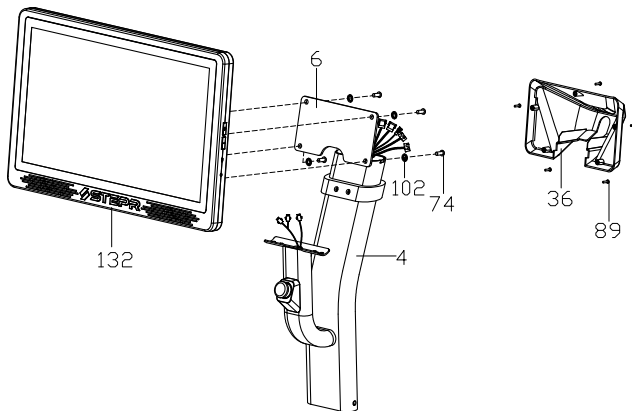


Figure 1

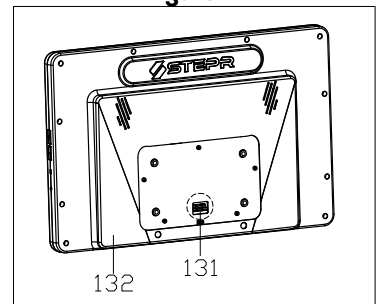
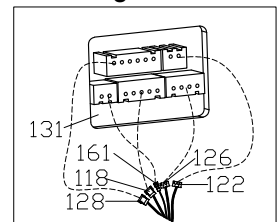
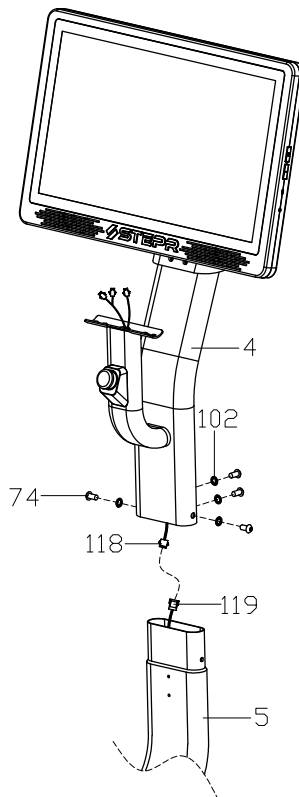


Figure 2



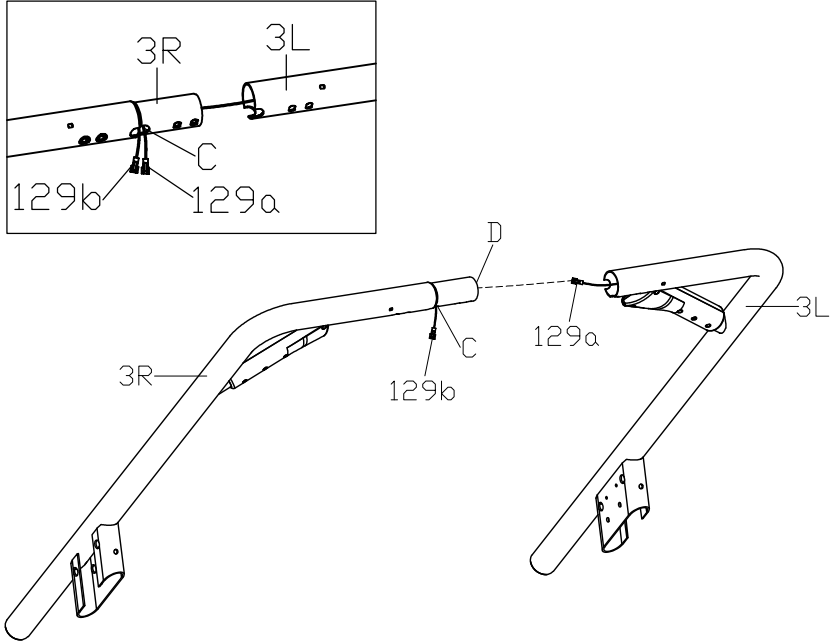
## STEP 5

1. Hold the Console (132) and Upper Mast set carefully, Connect the Console Upper Extension Wire (118) to the Console Lower Extension Wire (119) .
2. Attach the Upper Console Mast (4) to the Lower Console Mast (5) with four M10\*20 Hex socket screws (74) and four Ø10 Lock washers (102). (Please don't tighten them for now).
3. Rotate the Console gently to a proper position.



## STEP 6

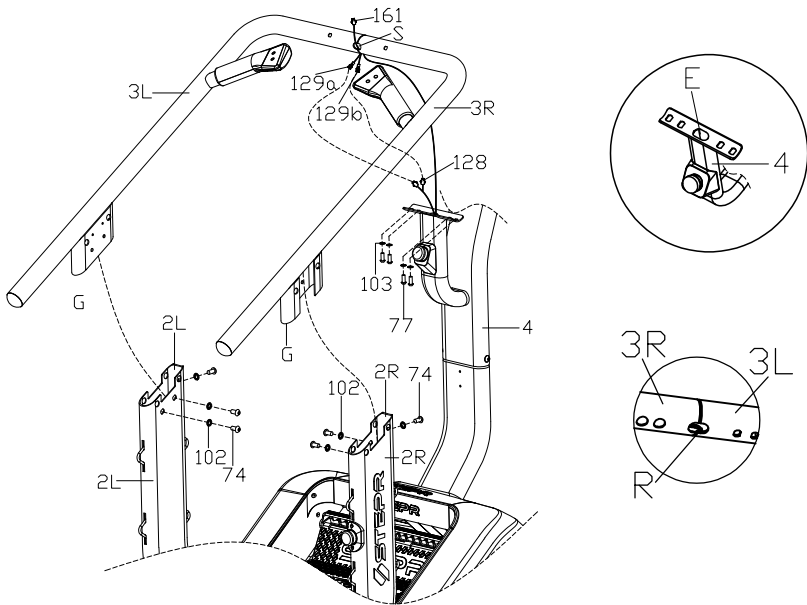
1. Pass the Key Board Lower Wire (129a) on left Handrail (3L) through the open D and out of hole C on right Handrail (3R), then insert the left Handrail (3L) into the right Handrail (3R). (Please be careful not to clip the wires ).



## STEP 7

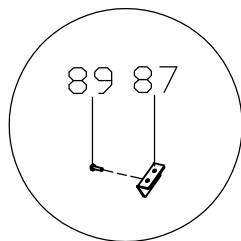
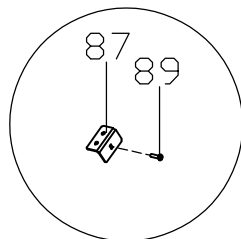
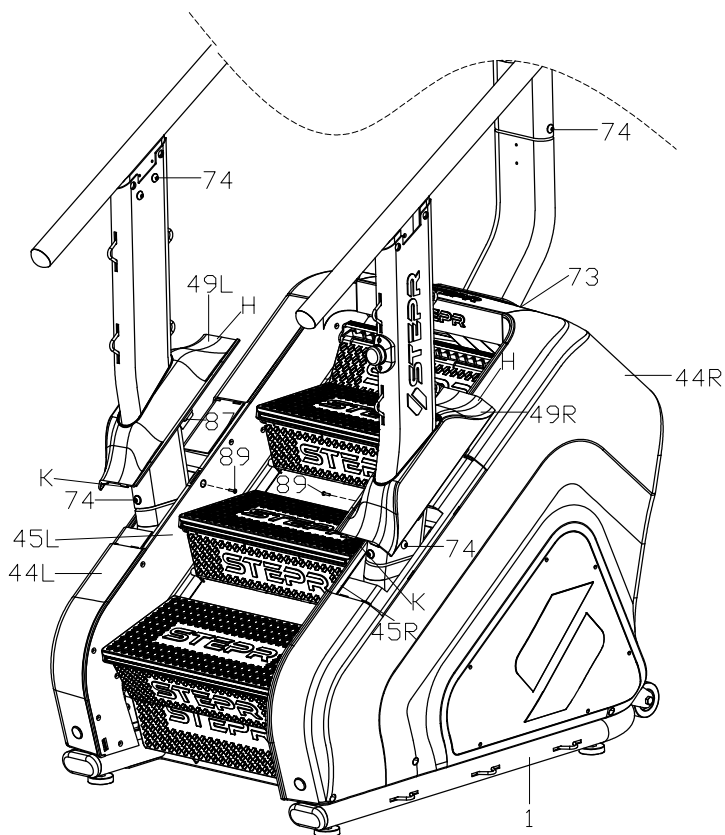
1. Hole the Handrail Set (3L/R) and align the position with Upright tube (2L/2R) and Upper Console Mast (4).
2. Put Wireless charging of the upper line (161) through the hole R in Handrails (3L/R) and out of the hole S.

3. Connect the Key Board Lower Wire (129a/129b) to the Key Board Extension Wire (128) as per the connectors color. Store properly all wire connectors and wires into the Hole E of connection tube on Upper Console Mast (4). (Note: Be careful not to clip wires!)
  4. Insert the G tube of the Handrail Set (3L/R) into the Upright Tubes (2L/2R), align the holes and lock with six M10\*20 Hex socket screws (74) and six Ø10 Lock Washers (102). (Please don't tighten them now)
  5. Align the 4 holes around the bottom connection of Handrail Set (3L/R) with the connection tube of the Upper Console Mast (4), and lock with four M8\*20 Hex bolts (77) and four Ø8 Lock washers (103).
- (Note: if you found it's hard to align, please loose the bolts in previous steps to get more flexibility for the alignment.)



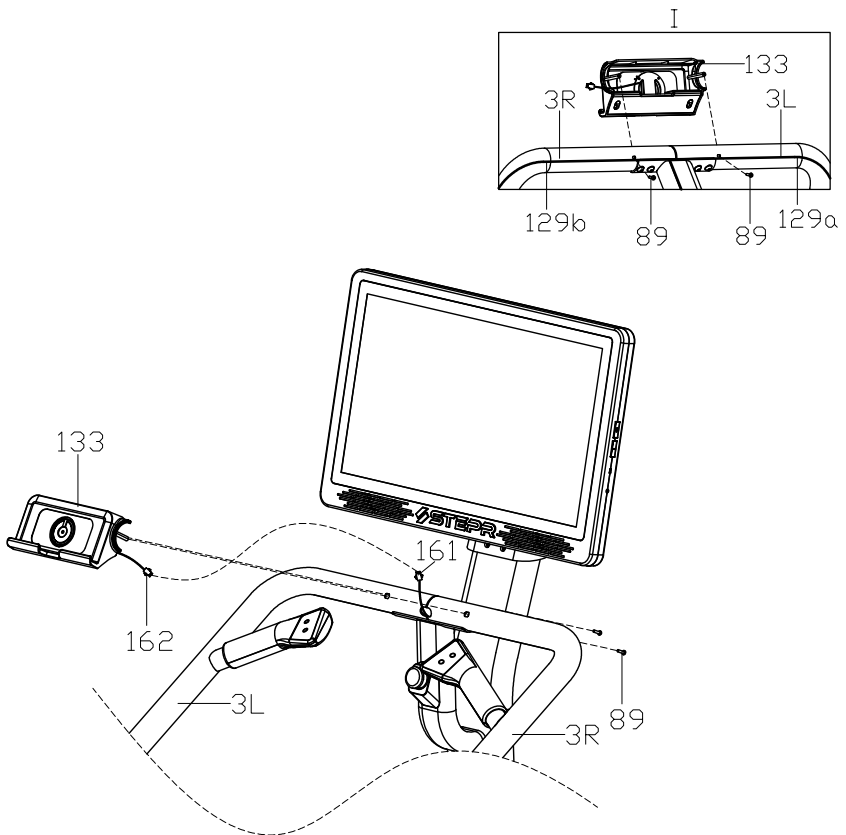
## STEP 8

1. Lock all the sixteen M10\*20 Hex socket screws (74) and the four M10\*30 Hex socket screws (73) that are not locked tightly in previous assembly steps.
2. Clip the snap joint at H of Decorative cover (49L/R) into Protective cover (44L/R), and then press the snap joint at K of Decorative cover (49L/R) down to Protective cover (44L/R). Lock the Decorative Cover fixture (87) to the Inner protective cover (45L/R) with Cross tapping screw ST4.0\*16(89).



## STEP 9

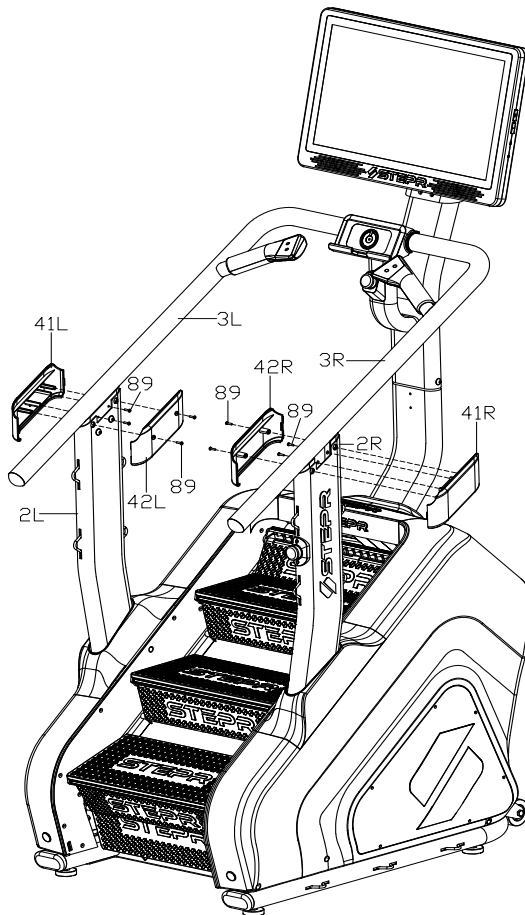
1. Connect Wireless charging of the upper line (161) to Wireless charging of the lower line (162);
2. Place the Phone holder (133) to the Handrails (3L/R) and lock the Phone holder (133) to the Handrails (3L/R) with two ST4.0\*16 Cross tapping screws (89). (Note: Please avoid Key board lower wire a/b (129a/b) to break the wire).





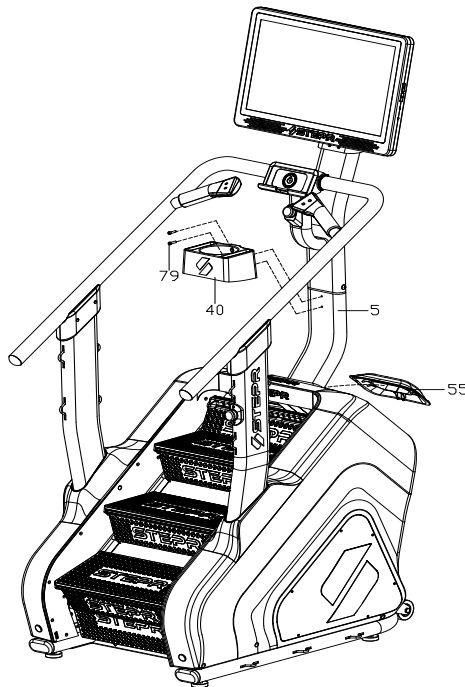
## STEP 10

1. Lock the Exterior Decorative Cover (41L/R) to Handrails (3L/R) with four ST4.0\*16 Cross tapping screws (89);
2. Lock the Interior Decorative Cover (42L/R) to Upright Tube (2L/R) with four ST4.0\*16 Cross tapping screws (89).



## STEP 11

1. Lock the Bottle/Phone Holder (40) to the Lower Console Mast (5) with two M6\*25 Hex head screws (79).
2. Stretch gently the soft Console Mast Decorative Cover (55) with hands and then put it around the joint of Lower Console Mast (5) and the Main Frame (1).



### Note:

Store the instruction manual, USB stick, and other documents in a safe place for future reference. The StepR customer service team may require the USB stick for troubleshooting.

# MOVING THE STEPR

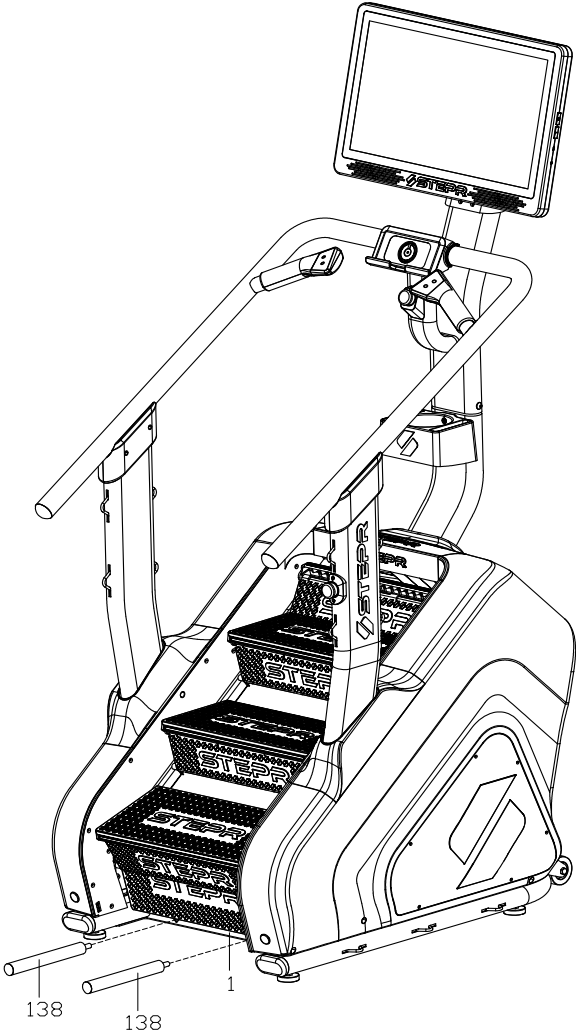
**WARNING:** The STEPR is a heavy piece of equipment. It is highly recommended that a professional installer or contractor be engaged for the task of moving this machine due to its substantial weight. STEPR assumes no responsibility for any negligent use or mishandling of the machine. Failure to adhere to these instructions could lead to severe injury or even death.

Instructions for moving the STEPR:

1. Screw the two Transport Handles (138) into the Main Frame (1). These handles are designed to aid in the safe and efficient moving of the machine.
2. Rotate the screen in the opposite direction prior to move the STEPR
3. Once the Transport Handles are securely attached, lift them up to move the machine. It is strongly advised to seek additional help due to the weight of the machine. Do not attempt to move the machine on your own.
4. After the machine has been moved to the desired location, unscrew the Transport Handles (138) from the Main Frame (1).
5. Store the Transport Handles in a safe place for future use.
6. Make sure the STEPR is steady on the floor, level the STEPR by adjusting the feet (59). Tighten the feet with 17 open wrench

# MOVING THE STEPR

Remember, not following these instructions could result in injury. Always prioritize safety and ensure that these instructions are located and followed precisely. If you are unsure or uncomfortable with moving the machine, please seek professional assistance.



# GROUNDING METHODS

The STEPR must be grounded. If it should malfunction or breakdown, grounding provides a path of least resistance for electric current to reduce the risk of electric shock.

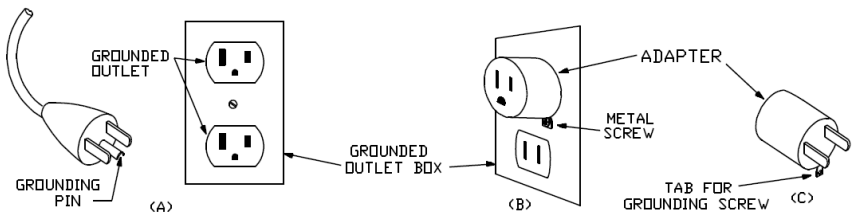
The STEPR is equipped with a cord having an equipment-grounding conductor and a grounding plug. The plug must be plugged into an appropriate outlet that is properly installed and grounded in accordance with all local codes and ordinances.

**DANGER** – Improper connection of the STEPR-grounding conductor can result in a risk of electric shock. Check with a qualified electrician or serviceman if you are in doubt as to whether the STEPR is properly grounded.

Do not modify the plug provided with the STEPR – if it will not fit the outlet, have a proper outlet installed by a qualified electrician.

The STEPR is for use on a nominal **120**-volt circuit and has a grounding plug that looks like the plug illustrated in sketch A in following figure. Make sure that the STEPR is connected to an outlet having the same configuration as the plug.

No adapter should be used with the STEPR.



# APP ONBOARDING PROCESS

## STEP 1

1. Plug in your STEPR to a power source using the provided power adapter.
2. Turn on the console using the power button located on the rear bottom of the STEPR.
3. Follow the on-screen instructions to connect STEPR to your Wi-Fi network.

## STEP 2

1. Once connected to the internet, the console will automatically check for software updates.
2. Wait for the STEPR Software to be Updated.
3. If an update is available, the console will prompt you to download and install it.
4. Allow the update to complete. This may take a few minutes.

## STEP 3

1. Sign Up/Register for STEPR App.

# ONBOARDING PROCESS

2. Select "Sign Up" to create a new account or "Log In" if you already have an existing account, follow the on-screen instructions to provide the necessary information and complete the registration process.

## STEP 4

1. Choose Your STEPR Plan.
2. Browse through the available plans and select the one that best suits your fitness goals and preferences.
3. Follow the prompts to subscribe to your chosen plan.

## STEP 5

1. Start Your STEPR Journey.
2. Follow the on-screen instructions to begin your first workout.
3. Enjoy the immersive experience and start stepping toward your fitness goals!

# PROPER USAGE

1. As depicted in the right figure, the user enters the step area of the STEPR from the direction indicated by the arrow. Once inside the step area, the user proceeds to walk up the steps, and when ready, clicks the start button to initiate the machine's operation.



2. As illustrated in the left figure, once the user has finished exercising, they should click the stop button to bring the STEPR to a smooth stop. After the machine has come to a complete stop, the user can safely exit the step area of the STEPR in the direction indicated by the arrow.





3. If you experience excessive shaking of the stairs during exercise, it may indicate that the chain is too loose. Follow the steps below to adjust the chain tension, or reach out to [support@getstepr.com](mailto:support@getstepr.com)

- Remove the left and right protective covers of the main frame.
- Use a hexagonal T-type wrench to tighten the screw of the rear gear clockwise, as shown in Figure 1. This action will help tighten the chain.
- Observe the gap between the chain and the tube. Adjust the tension until the gap measures 35mm, as shown in Figure 2.
- Once the gap is adjusted to 35mm, you can continue to use the machine safely.

FIGURE 1



FIGURE 2



4. If the start/stop button is damaged during use, you cannot continue to use the STEPR, and you need to replace the internal electronic parts before you continue to use the machine.
5. Please use clean shoes when using STEPR to avoid unnecessary wear and tear on the stair surfaces.
6. Emergency Stop Features on the STEPR:

The STEPR is equipped with two emergency stop buttons designed to ensure user safety by immediately stopping the step surfaces. The first button is located below the handlebars, and the second is on the lower right side of the handlebars. Pressing either button will bring the step surfaces to a complete stop.

In addition to the emergency stop buttons, the STEPR includes a third safety feature: a laser-activated stop sensor. This sensor uses an infrared beam to detect obstacles in its path. If an obstacle is detected, the STEPR will automatically stop to prevent accidents.

#### Instructions for Handling Obstacles:

**Clear Obstacles:** Ensure that the area within the sensor's range is free from any objects that could interrupt the infrared beam and trigger a stop.  
**Restarting the STEPR:** After removing any obstacles, press the control handles to acknowledge that the area is clear. The STEPR stairs will then continue operation. By following these guidelines, you can maintain a safe environment while using the STEPR.

7. Stand directly in front of the STEPR. Grab the handrails, then step onto the STEPR, positioning yourself within comfortable reach of the console and the handlebar controls.
8. To determine proper workout position, stand on the steps within comfortable reach of the console. Maintain a constant distance from the console and in-reach handlebar controls. Keep your knees slightly bent at all times.
9. Dismounting the STEPR: After the steps have come to a complete stop, grasp the handlebars and step down onto the floor.

## FREQUENT ERRORS

- The emergency stop switch has been activated. Rotate the emergency stop switch clockwise to release.
- The infrared sensor detects an obstacle. Clear obstacles from the sensor's range.

## FCC information to the user

1. **Caution:** Changes or modifications not expressly approved by the party responsible for compliance could void the user's authority to operate the STEPR.
  
2. **Note:** The STEPR has been tested and found to comply with the limits for a Class B digital device, pursuant to part 15 of the FCC Rules. These limits are designed to provide reasonable protection against harmful interference in a residential installation. This STEPR generates, uses and can radiate radio frequency energy and, if not installed and used in accordance with the instructions, may cause harmful interference to radio communications. However, there is no guarantee that interference will not occur in a particular installation. If this STEPR does cause harmful interference to radio or television reception, which can be determined by turning the STEPR off and on, the user is encouraged to try to correct the interference by one or more of the following measures:
  - Reorient or relocate the receiving antenna.
  - Increase the separation between the STEPR and receiver.
  - Connect the STEPR into an outlet on a circuit different from that to which the receiver is connected.
  - Consult the dealer or an experienced radio/TV technician for help.

# CLASS SCREEN

**Time Remaining**  
**12:12**  
37:48 Remaining

**Timeline**  
Warmup

**STEP Sync**  
AUTO SPEED  
ON

**Resistance Level**

SPEED LEVEL

3	24	56	853
	SPM	FLOOR	STEP

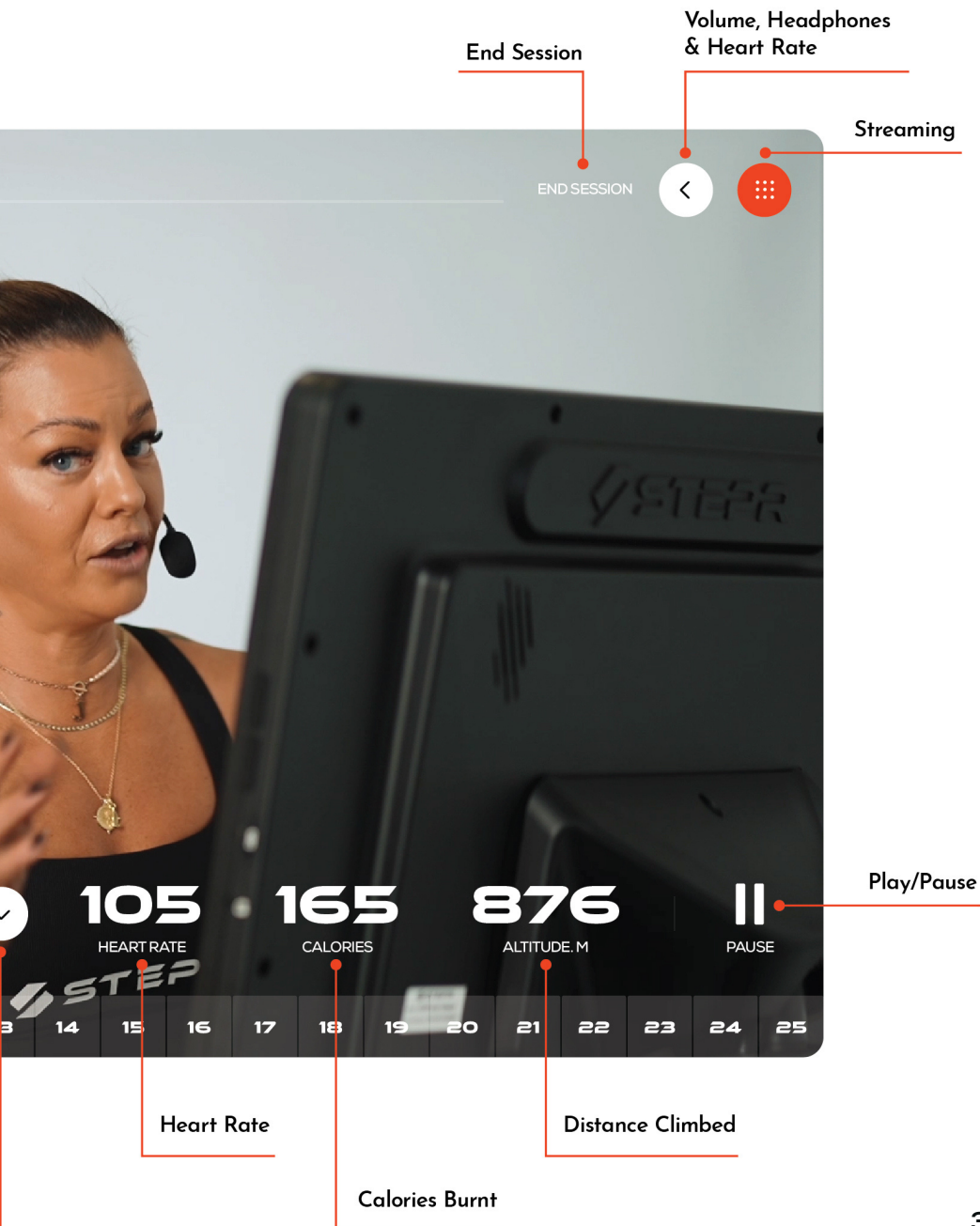
1 2 3 4 5 6 7 8 9 10 11 12 1

**Steps per Minute**

**Step Count**

**Floors Climbed**

**Hide/Show Resistance Level Bar**



# CARE AND MAINTENANCE

Care and maintenance advice provided to the STEPR should include, at least, the following

**a.** Replace Defective Components Immediately: If any part of the STEPR is found to be defective, damaged, or worn, it must be replaced immediately to avoid potential hazards. Do not use the STEPR until the defective components have been replaced or repaired by a qualified professional.

**b.** Keep the STEPR Out of Use Until Repair: In the event of any damage or significant wear, discontinue using the STEPR until it has been thoroughly inspected and repaired by an authorized technician. Continuing to use damaged STEPR may lead to accidents and injury.

**c.** Components Most Susceptible to Wear:

Belt

Armrest keyboard PCB

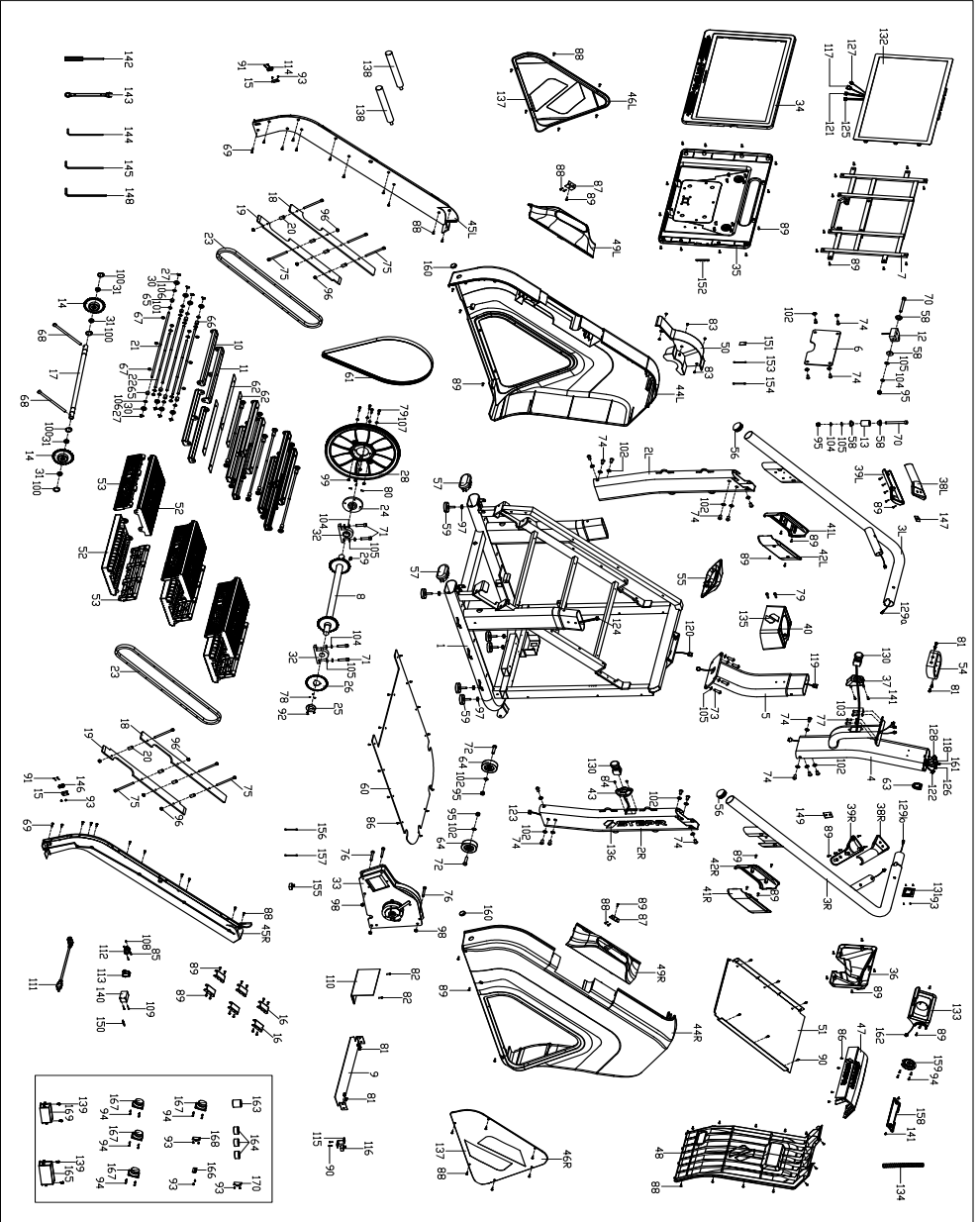
Armrest keypad sticker

Emergency buttons

Give special attention to these components that are most susceptible to wear during regular use. Regularly check and inspect these parts to ensure they remain in proper working condition

**d.** A USB stick WITH the STEPR Software is included. Keep in a safe place. Customer service may require the USB stick for troubleshooting. Only use in consultation with a STEPR team member.

# EXPLODED DRAWING





# PARTS LIST

Part No.	Description	Qty	Part No.	Description	Qty
1	Main frame	1	35	Computer bottom cover	1
2L	Upright tube-Left	1	36	Computer cover adornment	1
2R	Upright tube-Right	1	37	Switch base 1	1
3L	Handrails-Left	1	38L	Upper cover-Left	1
3R	Handrails-Right	1	38R	Upper cover-Right	1
4	Upper Console mast	1	39L	Lower cover-Left	1
5	Lower Console mast	1	39R	Lower cover-Right	1
6	Mounting bracket	1	40	Bottle/Phone Holder	1
7	Console supporting tube	1	41L	Exterior decorative cover-Left	1
8	Front roller	1	41R	Exterior decorative cover-Right	1
9	Baffle	1	42L	Interior decorative cover-Left	1
10	Stair support 1	6	42R	Interior decorative cover-Right	1
11	Stair support 2	6	43	Switch base 1	1
12	Swivel joint assembly	1	44L	Protective cover-Left	1
13	drivepipe	1	44R	Protective cover-Right	1
14	Rear gear	2	45L	Inner protective cover-Left	1
15	Infrared fastener	2	45R	Inner protective cover-Right	1
16	Cover fixing	6	46L	Exterior protective cover-Left	1
17	Rear roller shaft	1	46R	Exterior protective cover-Right	1
18	Guide	2	47	Upper protective cover	1
19	Guide2	2	48	Rear protective cover	1
20	Support sleeve 1	8	49L	Decorative cover-Left	1
21	Bearing connecting shaft	12	49R	Decorative cover-Right	1
22	Stair connecting shaft	6	50	Flywheel protective cover	1
23	Chain	2	51	Middle baffle	1
24	Pulley shaft sleeve	1	52	Stair 1	6
25	Emergency stop plate sleeve	1	53	Stair 2	6
26	Emergency stop plate	1	54	Cushion	1
27	Clip	24	55	Console mast decorative cover	1
28	Belt pulley	1	56	End cap of handrail	2
29	Flat key 1	1	57	End cap	2
30	Bearing 608Z	24	58	Spacer	4
31	Bearing 6004	4	59	Foot pad	6
32	KP005 pedestal bearing	2	60	Bottom baffle	1
33	Brake combination	1	61	Belt	1
34	Computer upper cover	1	62	EVA silencing pad	12

# PARTS LIST

63	End cap	1	104	Spring washer Φ10	6
64	Roller	2	105	Flat washer Φ10	10
65	Stair spacer 1	12	106	Flat washer Φ8	32
66	Stair spacer 2	12	107	Flat washer Φ6	4
67	Wear washer	30	108	Hex nut M3	2
68	Hex socket cap screw M10*170	2	109	Cross screw M4*40	2
69	Cross countersunk tapping screw ST5.0*25	2	110	Controller	1
70	Hex socket cap screw M10*90	2	111	Power cord	1
71	Hex socket cap screw M10*35	4	112	Switch	1
72	Hex bolt M10*45	2	113	Power socket	1
73	Hex socket screw M10*30	4	114	Infrared emitter	1
74	Hex socket screw M10*20	20	115	Light sensor bracket	1
75	Hex socket cap screw M8*110	8	116	Light sensor 1	1
76	Hex socket cap screw M8*75	3	117	Console upper wire	1
77	Hex bolt M8*20	4	118	Console upper extension wire	1
78	Slotted flat point set screw M4*5	3	119	Console lower extension wire	1
79	Hex socket cap screw M6*25	6	120	Console lower wire	1
80	Slotted flat point set screw M5*10	3	121	Emergency switch upper wire 1	1
81	Cross screw M5*15	8	122	Emergency switch lower wire 1	1
82	Cross screw M4*15	2	123	Emergency switch upper wire 2	1
83	Cross countersunk head screw M5*8	6	124	Emergency switch lower wire 2	1
84	Cross countersunk head screw M4*15	2	125	Wireless pulse upper wire	1
85	Cross countersunk head screw M3*15	2	126	Wireless pulse lower wire	1
86	Cross tapping screw ST4.0*12	17	127	Key board upper wire	1
87	Decorative cove fixture	2	128	Key board extension wire	1
88	Cross countersunk tapping screw ST4.0*16	48	129a	Key board lower wire a	1
89	Cross tapping screw ST4.0*16	67	129b	Key board lower wire b	1
90	Cross screw M4*10	8	130	Emergency stop	2
91	Cross screw M3*15	4	131	Socket board	1
92	Cross screw M3*8	3	132	Console	1
93	Cross tapping screw ST2.9*9.5	14	133	Phone holder	1
94	Cross tapping screw ST2.2*8	20	134	Elastic sleeve	1
95	Nylon nut M10	4	135	Small S logo	1
96	Nylon nut M8	6	136	STEPR logo	2
97	Hex thin nut M10*5	6	137	Big S logo	2
98	Hex thin nut M8	3	138	Transport handle	2
99	Nylon nut M6	4	139	Cross screw M4*8	4
100	Outer snap ring Φ 20	4	140	Distance sensor	1
101	E-type snap ring Φ6	18	141	Cross tapping screw ST4.0*8	4
102	Lock washer Φ10*1.2	22	142	Screwdriver	1
103	Lock washer Φ8*1.2	4	143	S17 Wrench	1

# PARTS LIST

144	Allen wrench S5	1	158	Back cover of mobile phone holder	1
145	Allen wrench S6	1	159	Wireless charging module	1
146	Infrared receiver	1	160	spout plug	2
147	Start/Pause shortcut key board	1	161	Wireless charging of the upper line	1
148	Allen wrench S8	1	162	Wireless charging of the lower line	1
149	Speed shortcut key board	1	163	Magnetic ring 1 (optional)	1
150	Fuse	1	164	Magnetic ring 2 (optional)	3
151	Wireless heart rate module	1	165	Inductor filter (optional)	1
152	Volume up/down keypad	1	166	USB port	1
153	Music Bluetooth module and the whole board connection cable	1	167	Speaker (optional)	4
154	Music Bluetooth module includes power cord	1	168	Type-C charge port /Headphone jack(optional)	1
155	Light sensor 2	1	169	Filter(optional)	1
156	The cable connecting the driver to the electromagnet	1	170	Type-C charging (optional)	1
157	The cable connecting the drive to the brake disc	1			

## Note:

A USB stick containing the StepR software is included with the instruction manual. Please store it in a safe place for future reference. The StepR customer service team may require these resources for troubleshooting purposes in the future.



© STEPR 2023, | STEPR, INC. All rights reserved.

[getstepr.com](https://getstepr.com)