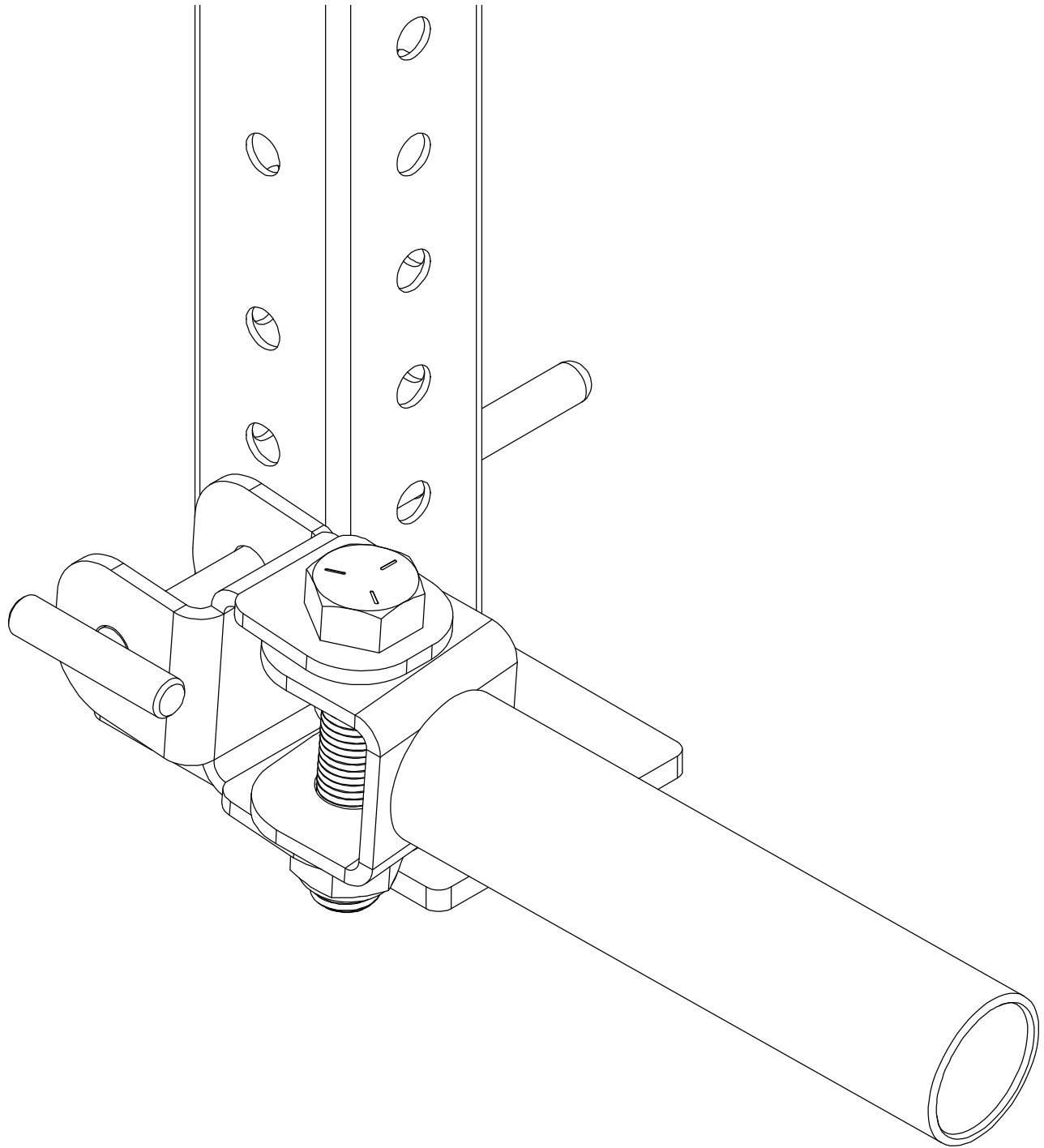


INFINITY/MONSTER LITE LANDMINE



INSTRUCTIONS AND ASSEMBLY

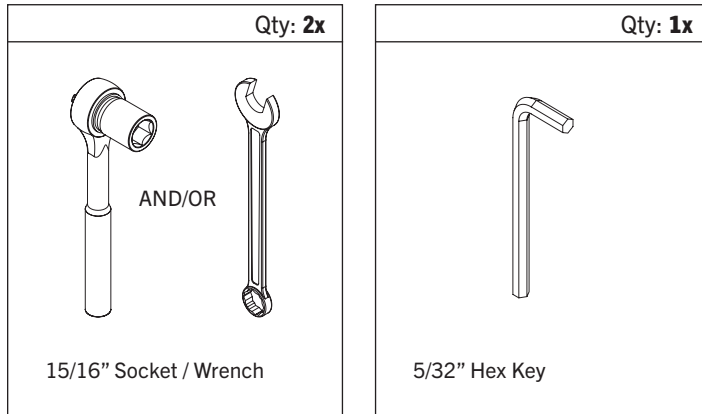
ROGUE[®]

GENERAL GUIDELINES

- Please read these customer instructions thoroughly prior to assembling.

TOOLS REQUIRED

Note: Images not shown at scale



IMPORTANT SAFETY INFORMATION

DISCLAIMER:

Resistance training, gymnastics training, and activities at height are potentially dangerous and may lead to severe injury or even death. Use common sense when training, obtain instruction in the proper execution of movements, and understand your limitations. This equipment must only be used by competent and responsible persons. Obtaining instruction in appropriate techniques and methods of use is your own responsibility. You assume all risks and responsibilities for all damage, injury or death which may occur during or following incorrect use of this equipment in any matter whatsoever. Rogue Fitness bears no liability beyond the replacement value of the equipment in question.

WARNING:

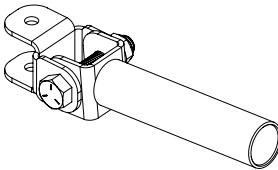
MISUSE OF THIS CAN RESULT IN SEVERE INJURY.

Both Rogue Fitness and buyer disclaim any express or implied warranty, including, without limitation, warranties or merchantability and/or fitness for a particular purpose with respect to the equipment. Buyer assumes all liability to use of equipment.

INCLUDED PARTS

Note: Images not shown at scale

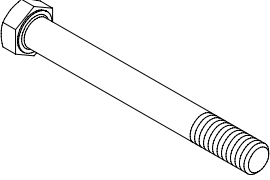
1 Qty: **1x**



Landmine

A technical drawing of a landmine component, which is a cylindrical shaft with a bracket-like structure at one end that has a hole for a bolt.

2 Qty: **1x**



5/8" x 6" Hex Bolt

*

A technical drawing of a hex bolt with a hexagonal head and a threaded shaft.

3 Qty: **1x**

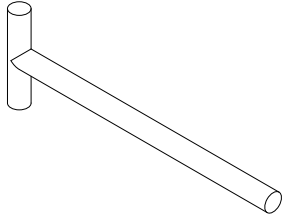


5/8" Hex Nut

*

A technical drawing of a hex nut, a hexagonal component with internal threads.

4 Qty: **1x**



Band Peg

**

A technical drawing of a band peg, which is a long, thin cylindrical shaft with a T-shaped cross-section at one end.

5 Qty: **1x**



1 1/16" Shaft Collar

**

A technical drawing of a shaft collar, a ring-like component with a hole in the center and a small hole on the side.

*Only used on 2X3 Infinity racks.

**Only used on 3X3 Monster Lite racks.

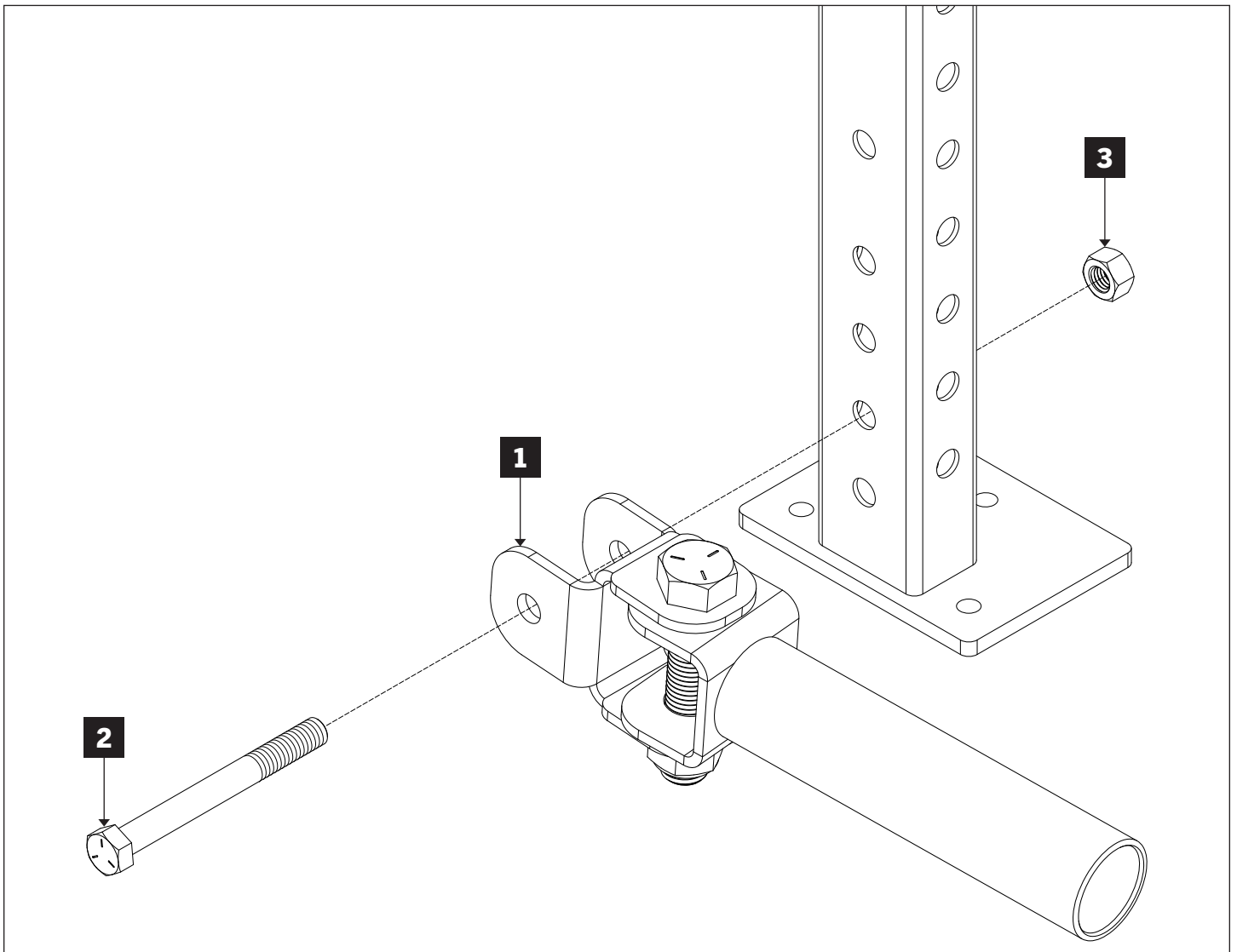
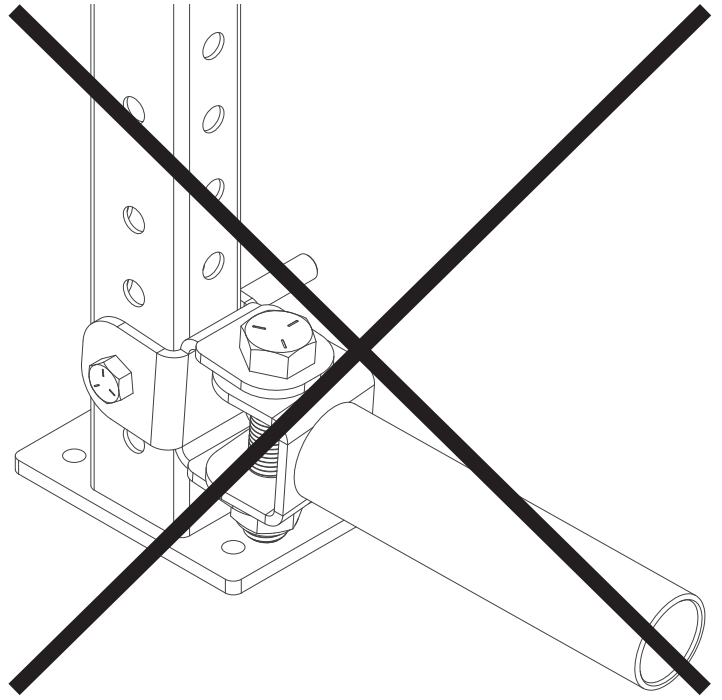
INFINITY INSTRUCTIONS

Tools Required:

- 15/16" Socket / Wrench
- For 2X3 racks, mount the Landmine **1** using the 5/8" x 6" Hex Bolt **2** and 5/8" Hex Nut **3** as shown below.

Note:

- The Rogue Landmine should be installed on the outside face of the upright as shown below. Do not install directly onto upright as shown (right).



MONSTER LITE INSTRUCTIONS

Tools Required:

- 5/32" Hex Key
- For 3X3 racks, mount the Landmine **1** using the Band Peg **4** and Shaft Collar **5**.
- Secure Shaft Collar by fully tightening Set Screw using 5/32" Hex Key.

