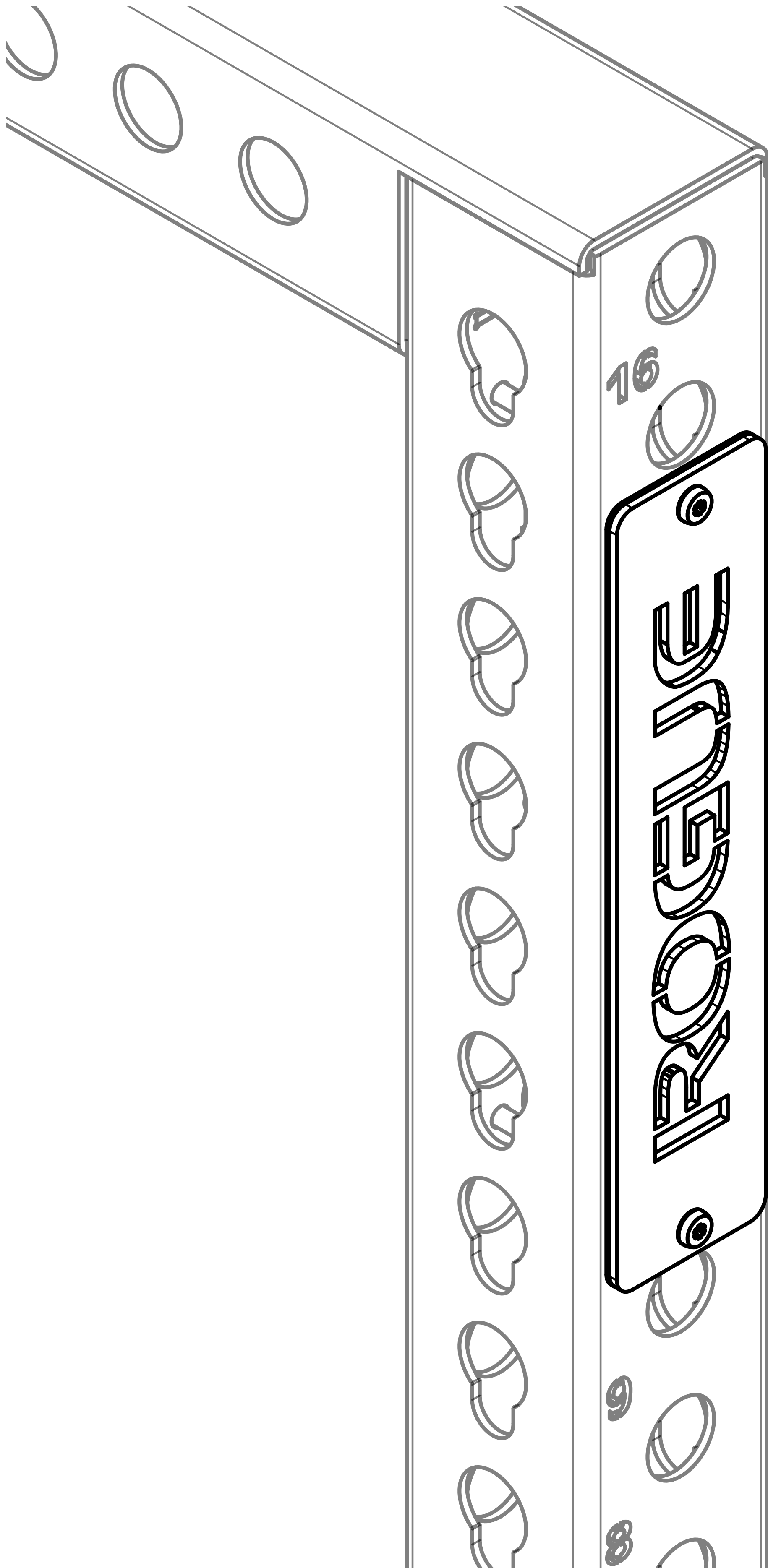


ROGUE®

MONSTER STORAGE BRANDING PLATE PAIR



⚠ IMPORTANT SAFETY INFORMATION

DISCLAIMER:

Resistance training, gymnastics training, and activities at height are potentially dangerous and may lead to severe injury or even death. Use common sense when training, obtain instruction in the proper execution of movements, and understand your limitations. This equipment must only be used by competent and responsible persons. Obtaining instruction in appropriate techniques and methods of use is your own responsibility. You assume all risks and responsibilities for all damage, injury or death which may occur during or following incorrect use of this equipment in any matter whatsoever. Rogue Fitness bears no liability beyond the replacement value of the equipment in question.

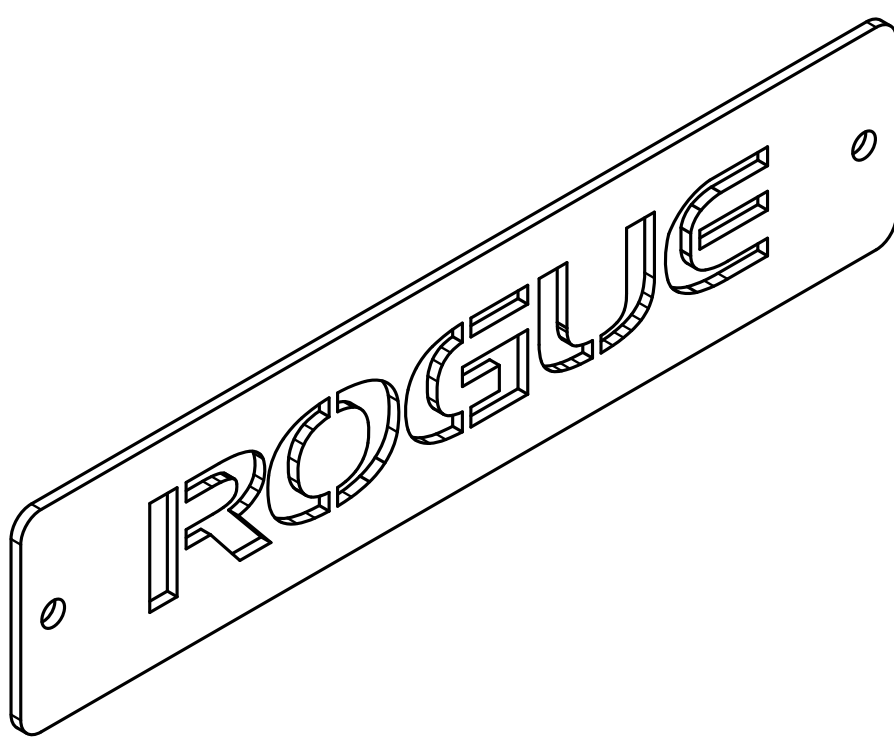
WARNING:

MISUSE OF THIS PRODUCT CAN RESULT IN SEVERE INJURY. Both Rogue Fitness and buyer disclaim any express or implied warranty, including, without limitation, warranties or merchantability and/or fitness for a particular purpose with respect to the equipment. Buyer assumes all liability to use of equipment.

INCLUDED PARTS

Note: Images not shown at scale

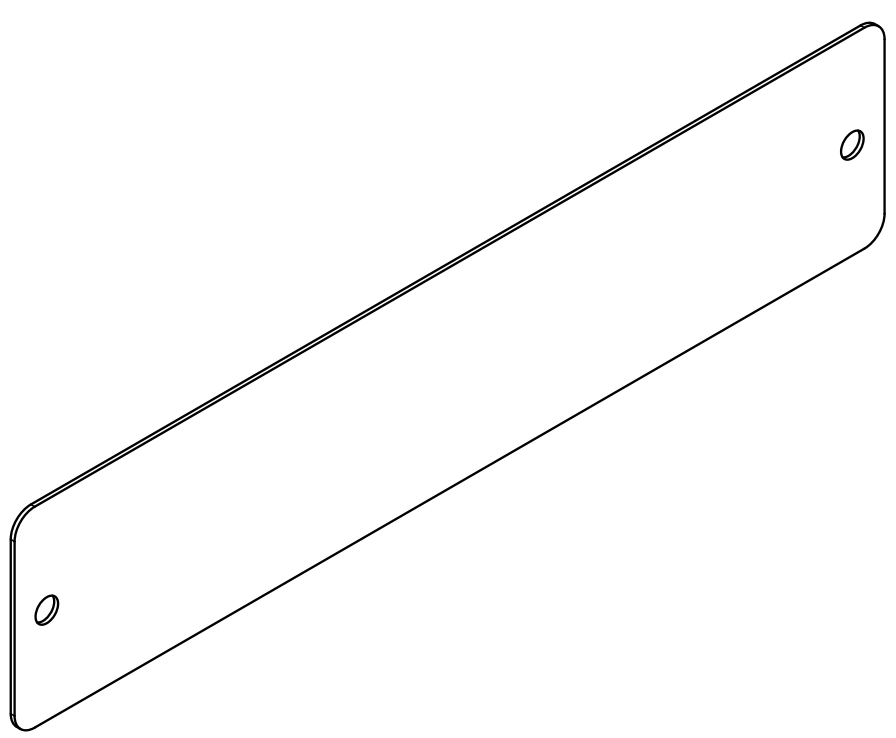
1 Qty: **1x or 2x**



Rogue Name Plate

A rectangular metal plate with the word "ROGUE" embossed in large, bold, capital letters. There are two small circular holes, one at each end of the plate.

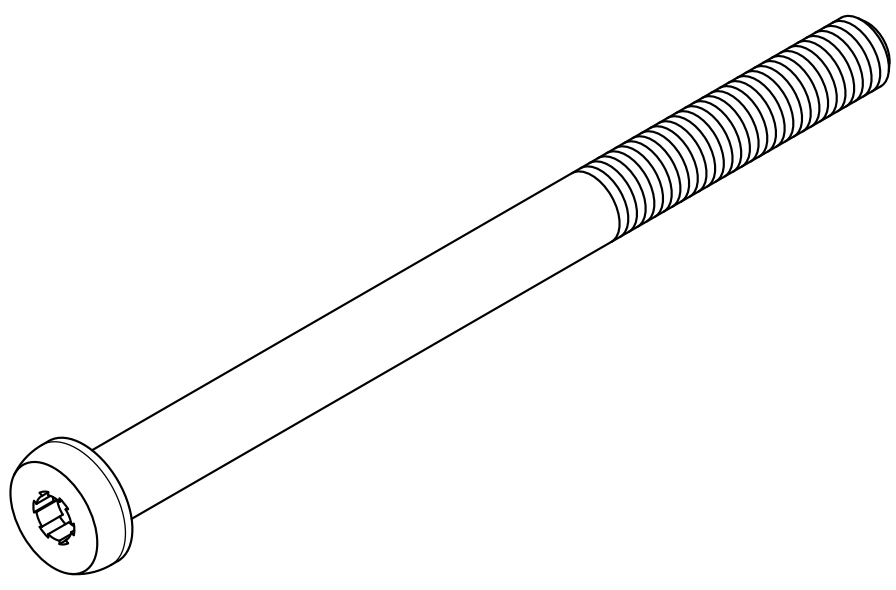
2 Qty: **1x or 2x**



Stainless Steel Backer Plate

A rectangular metal plate, similar in shape to the name plate, with two small circular holes at the ends. It is intended to serve as a backer for the name plate.

3 Qty: **2x or 4x**



1/4" x 3-1/2" Button Head

A long, thin metal bolt with a button head on one end and a threaded section on the other. The button head is a flat, circular disc with a hexagonal shape in the center.

4 Qty: **2x or 4x**



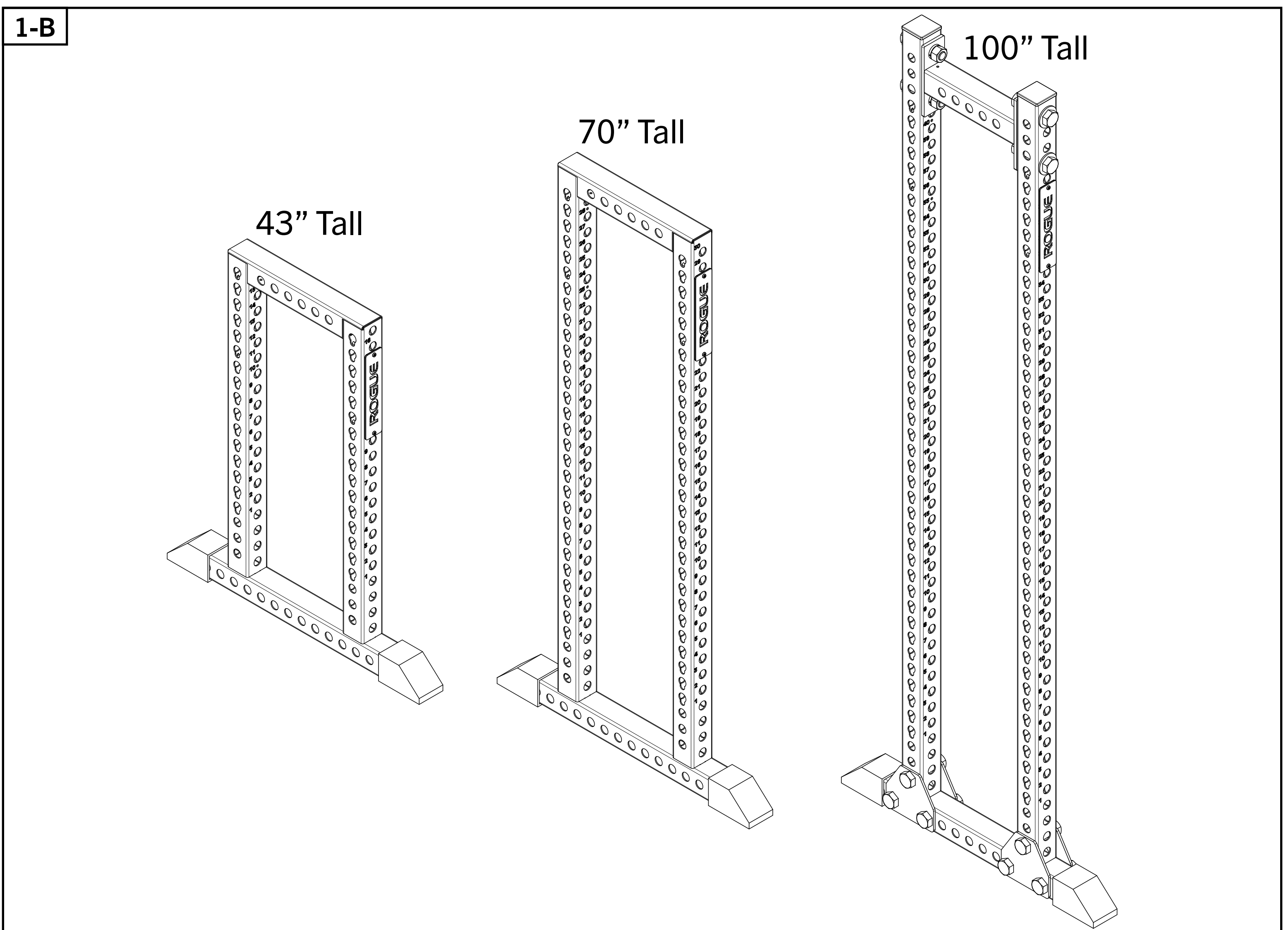
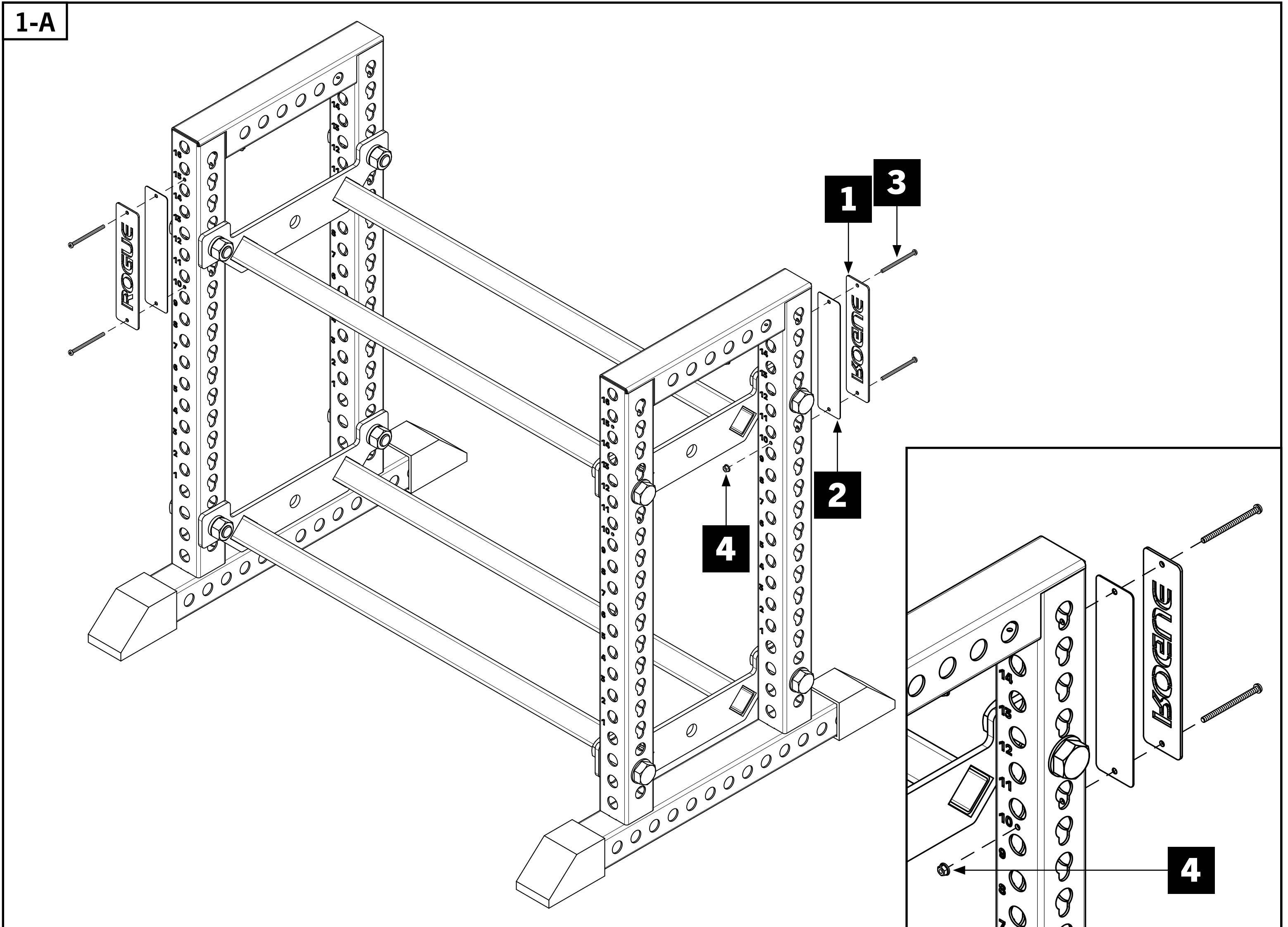
1/4" Flange Lock Nut

A hexagonal lock nut with a wide, flat flange on one side. The flange has a hexagonal shape in the center, matching the nut's body.

STEP 1

• Attach the Name Plate [1] and Backer Plate [2] to your Monster Storage using 1/4" x 3.5 Bolts [3] and 1/4" Lock Nuts [4] for each name plate.

• Note the respective locations for the nameplate for each variation of the Monster Storage.



ROGUE



**SCAN FOR
INSTRUCTIONS**



**IRON GAME
PROGRAMMING**