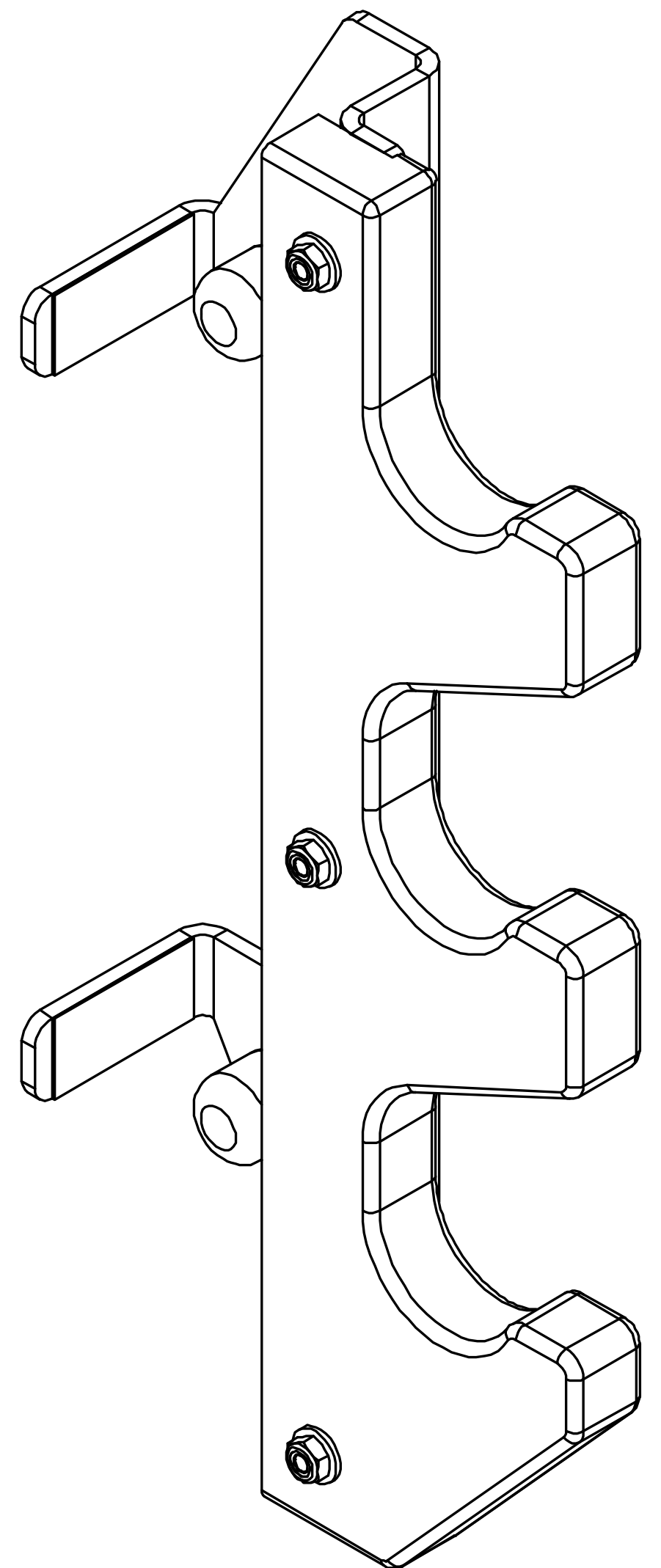
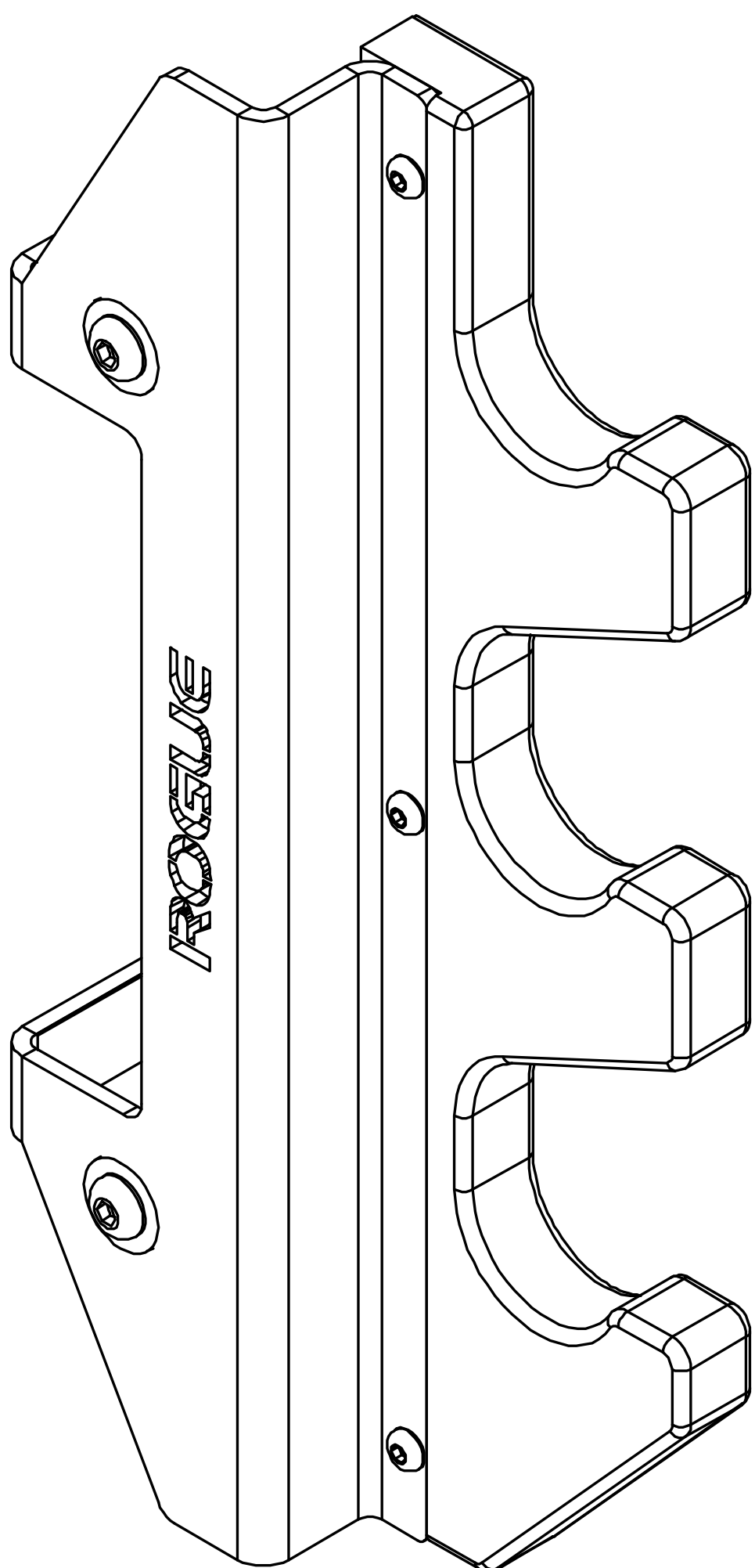


ROGUE®

MONSTER 3-BAR KEYHOLE GUN RACK



⚠ IMPORTANT SAFETY INFORMATION

DISCLAIMER:

Resistance training, gymnastics training, and activities at height are potentially dangerous and may lead to severe injury or even death. Use common sense when training, obtain instruction in the proper execution of movements, and understand your limitations. This equipment must only be used by competent and responsible persons. Obtaining instruction in appropriate techniques and methods of use is your own responsibility. You assume all risks and responsibilities for all damage, injury or death which may occur during or following incorrect use of this equipment in any matter whatsoever. Rogue Fitness bears no liability beyond the replacement value of the equipment in question.

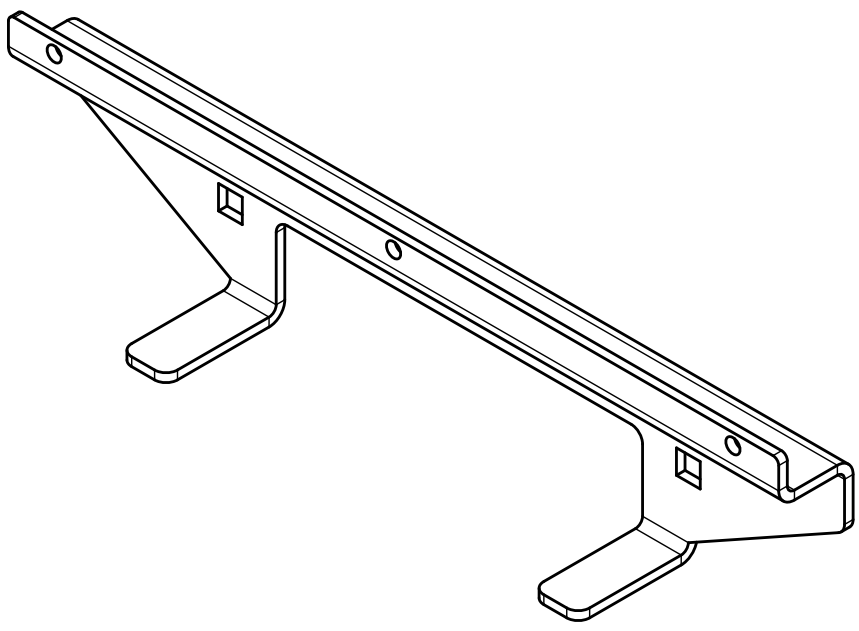
WARNING:

MISUSE OF THIS PRODUCT CAN RESULT IN SEVERE INJURY. Both Rogue Fitness and buyer disclaim any express or implied warranty, including, without limitation, warranties or merchantability and/or fitness for a particular purpose with respect to the equipment. Buyer assumes all liability to use of equipment.

INCLUDED PARTS

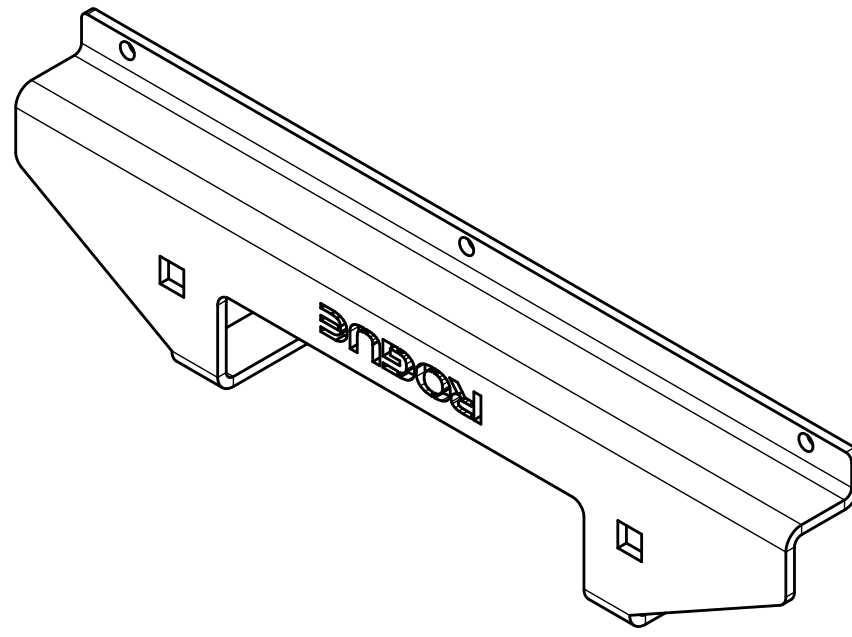
Note: Images not shown at scale

1 Qty: **1x**



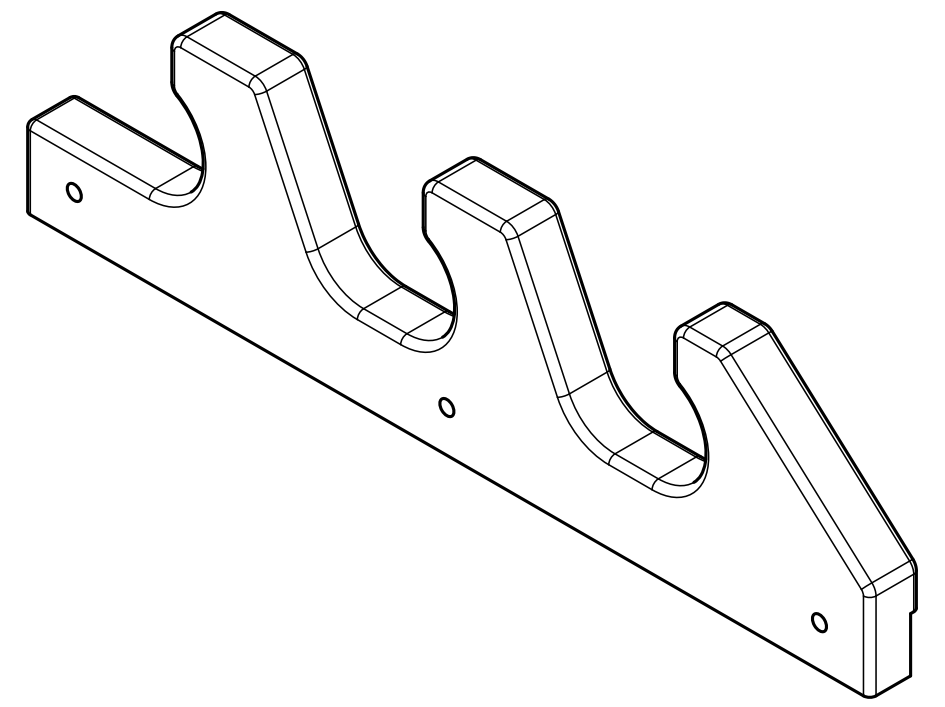
Keyhole Gunrack
Bracket - RH

2 Qty: **1x**



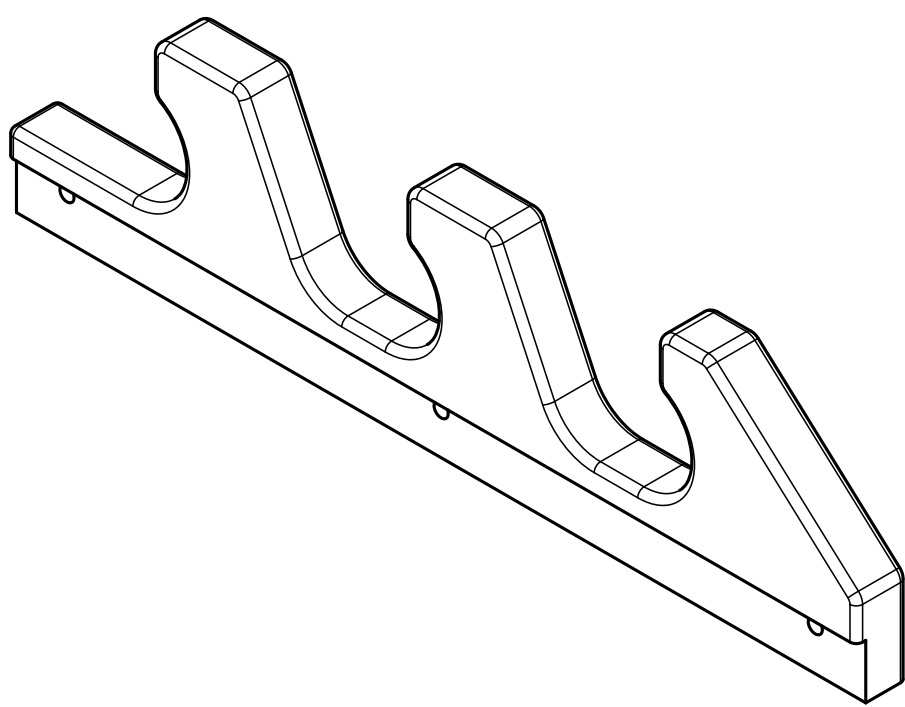
Keyhole Gunrack
Bracket - LH

3 Qty: **1x**



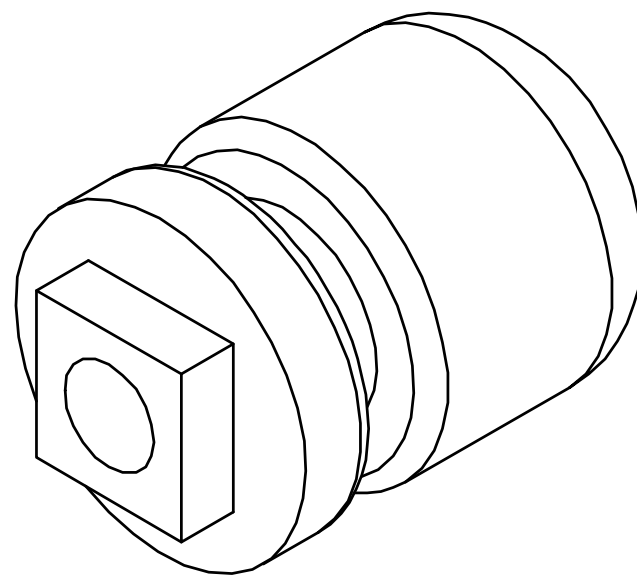
Keyhole Gunrack
Plastic - RH

4 Qty: **1x**



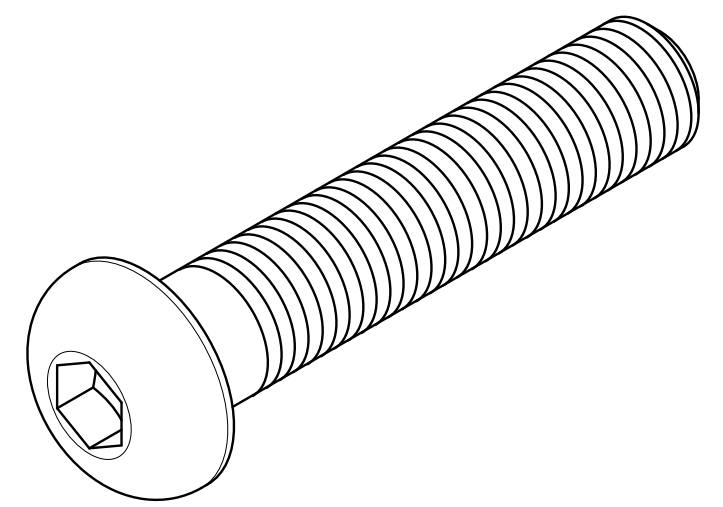
Keyhole Gunrack
Plastic - LH

5 Qty: **4x**



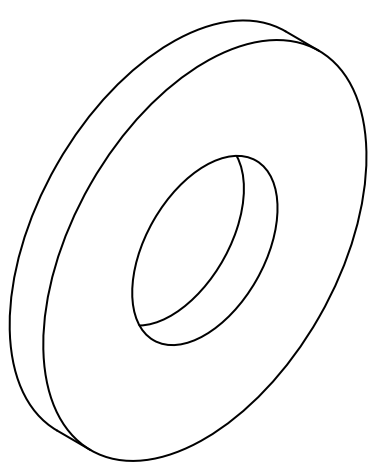
Keyhole Peg

6 Qty: **6x**



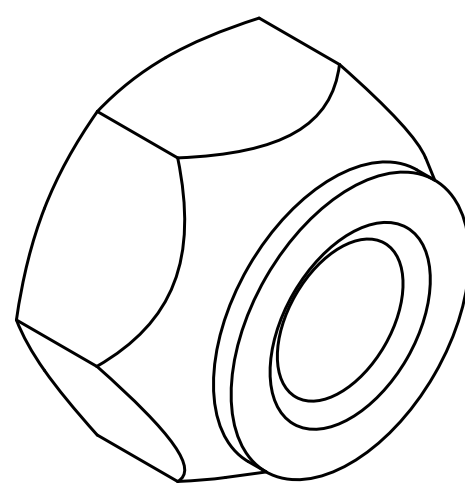
1/4" x 1-1/4" Socket
Button Head Screw

7 Qty: **6x**



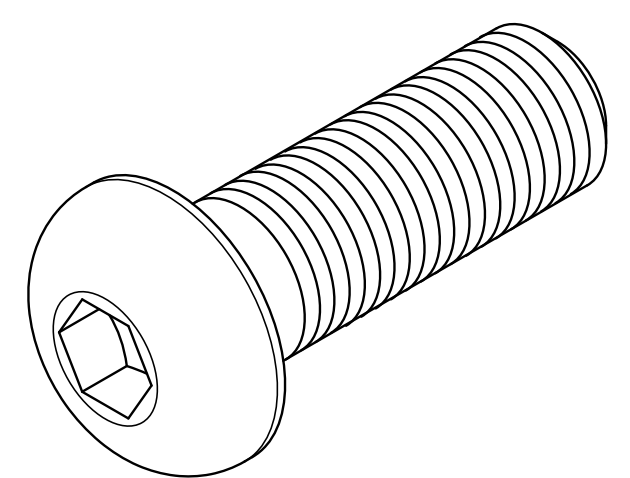
1/4" Flat Washer

8 Qty: **6x**



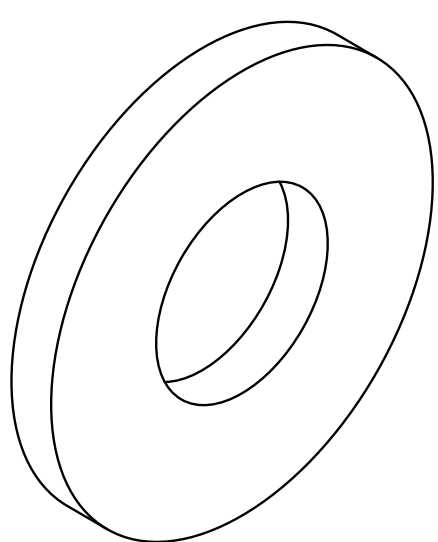
1/4" Thin Profile Nyloc
Nut

9 Qty: **4x**



3/8" x 1" Socket Button
Head Screw

10 Qty: **4x**

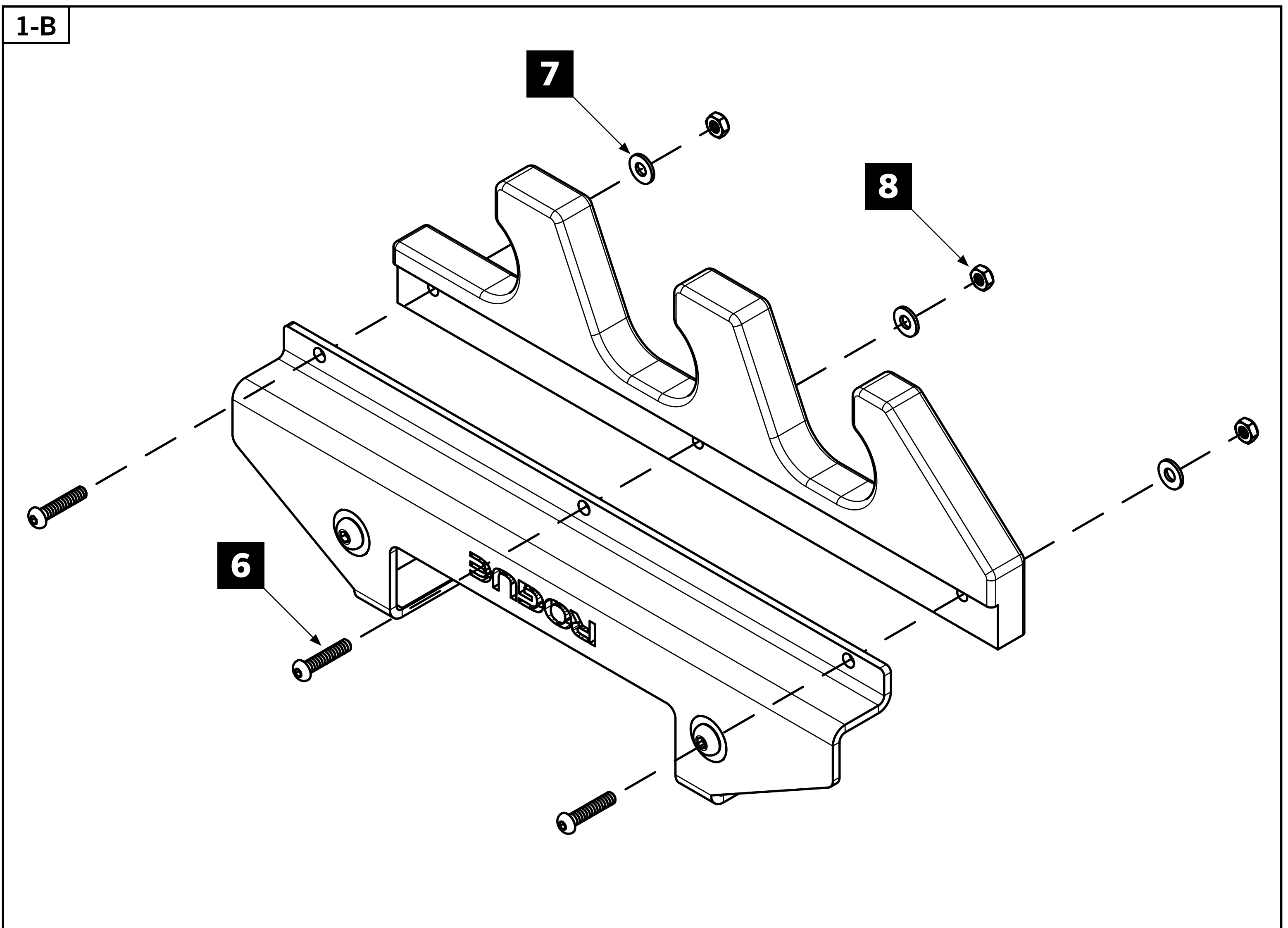
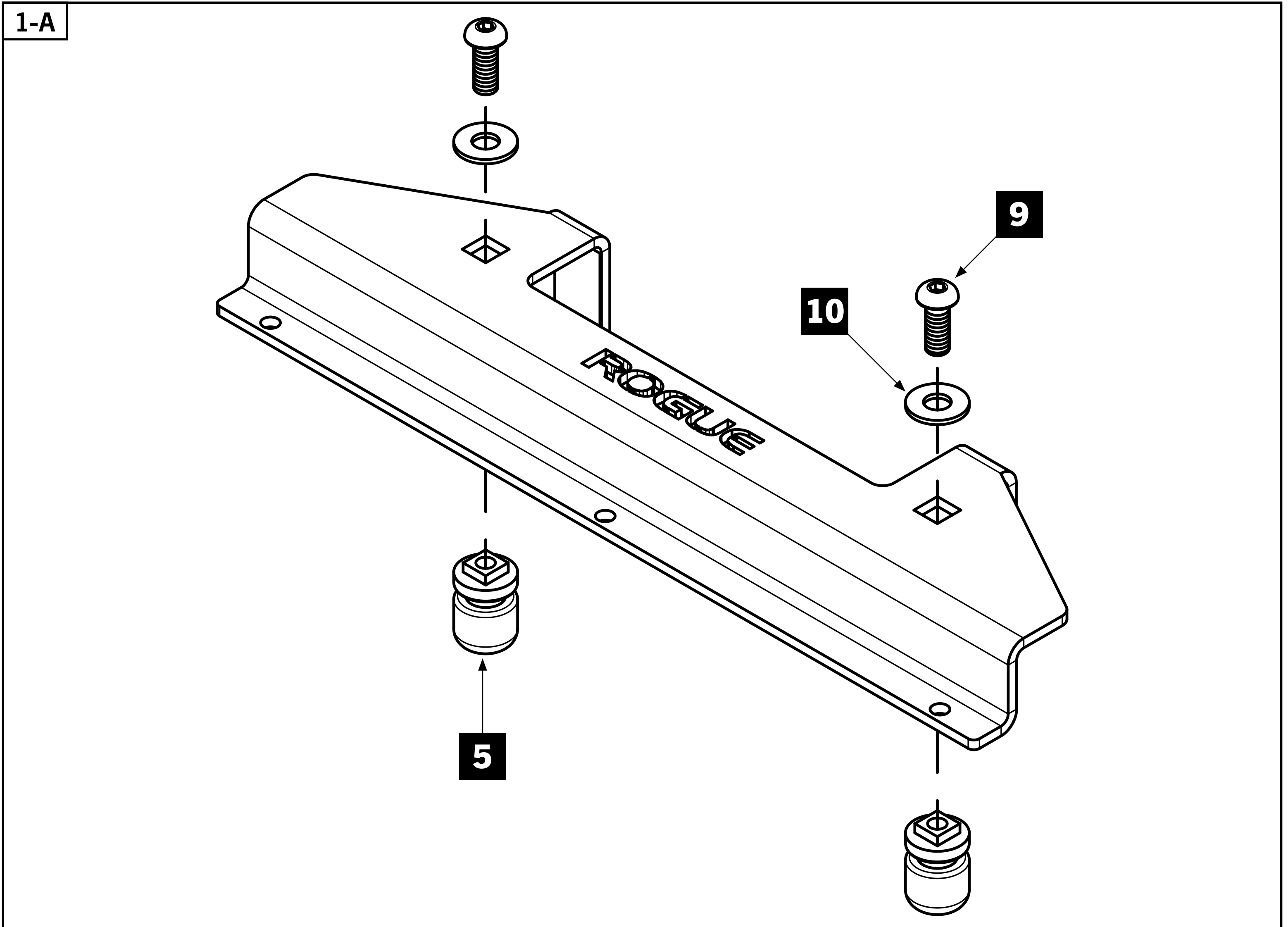


3/8 Flat Washer

STEP 1

- Attach Keyhole Pegs [5] to RH & LH Keyhole Gun Rack Brackets [1,2]. Secure Using 3/8" x 1" Socket Button Head Screw [9] and 3/8" Flat Washer [10].

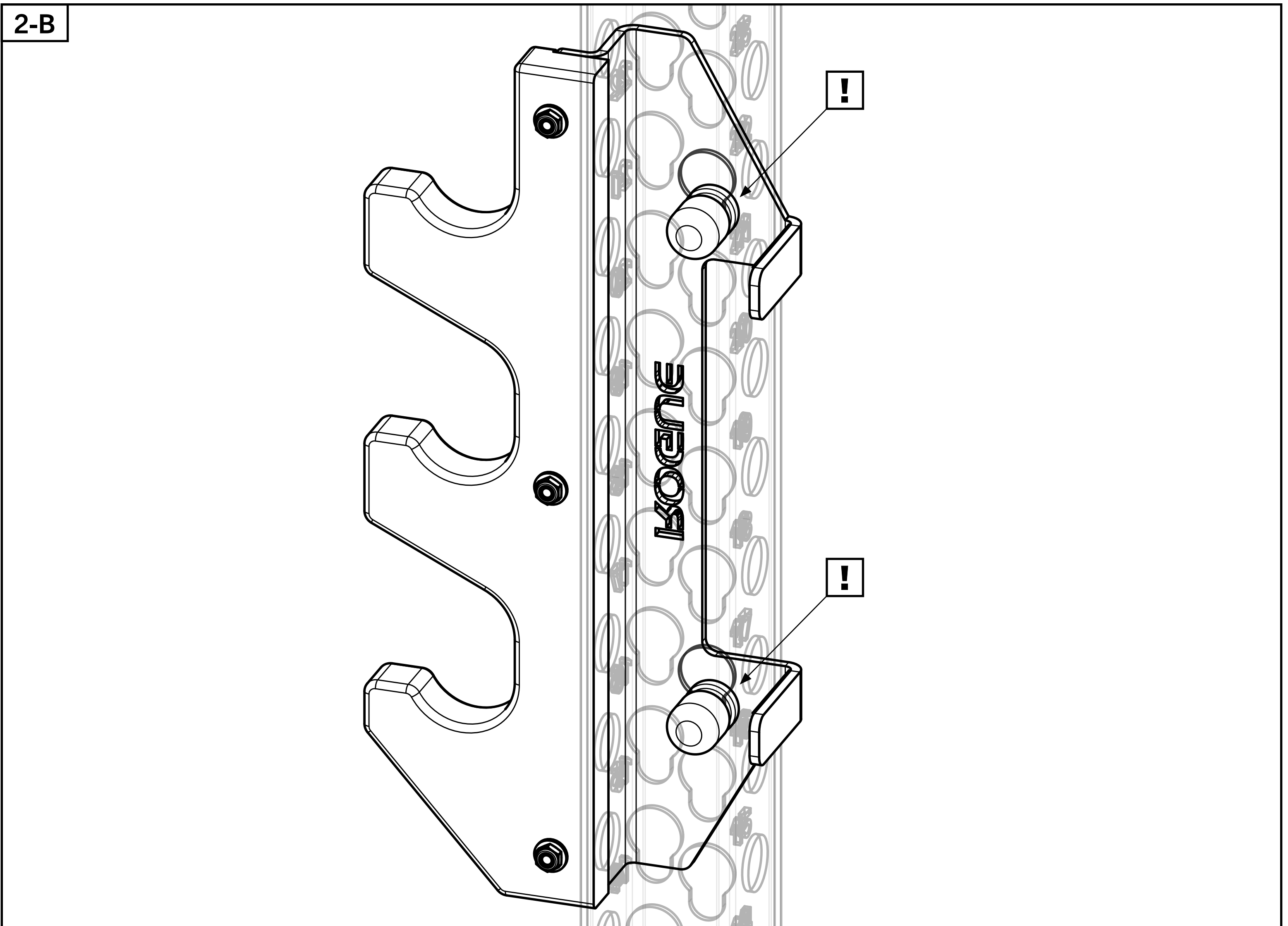
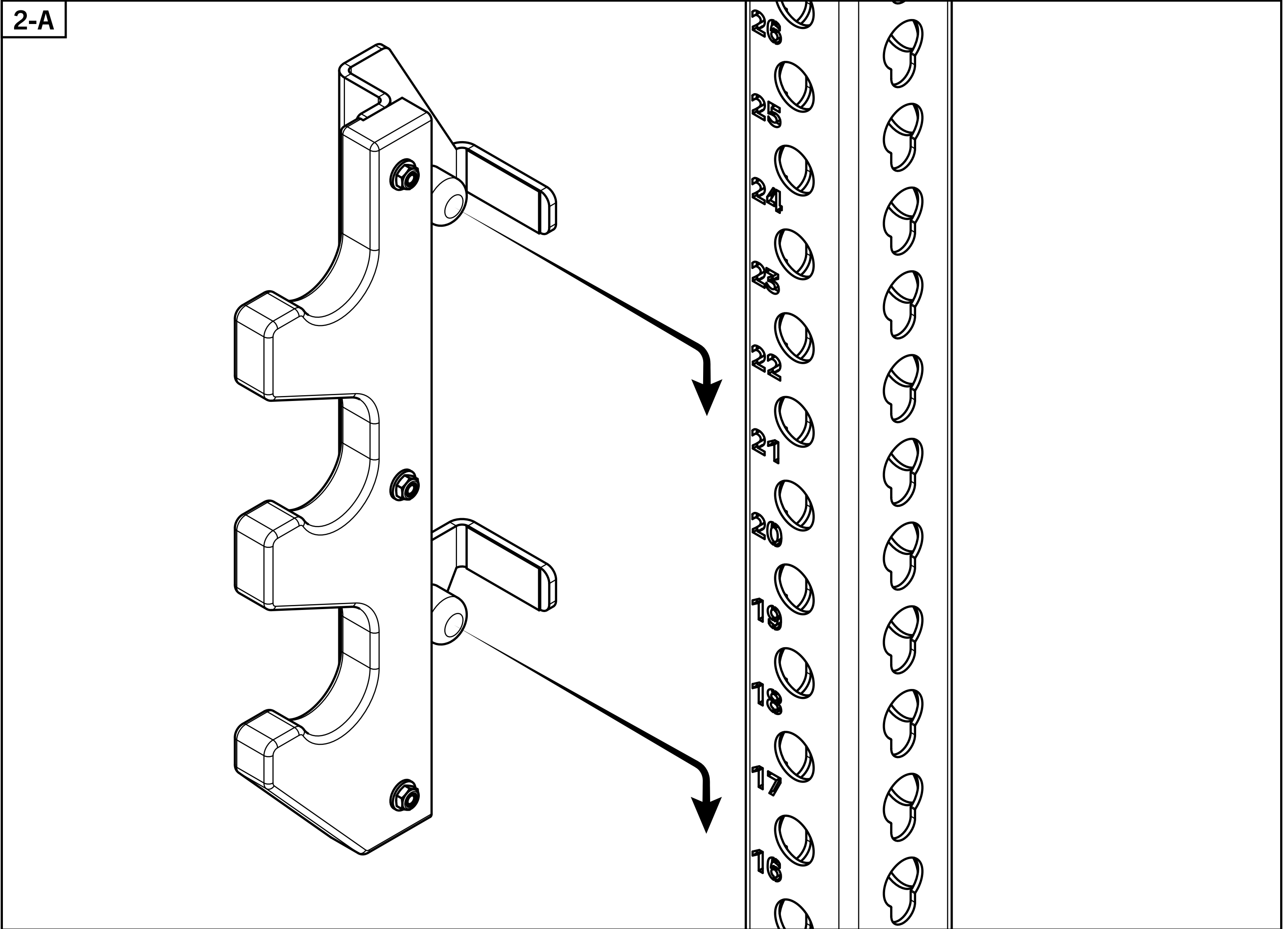
- Attach RH & LH Keyhole Gun Rack Plastic [3,4] to their respective Keyhole Gun Rack Brackets [1,2]. Secure using 1/4" x 1-1/4" Socket Head Cap Screw [6], 1/4" Flat Washer [7] and 1/4" Thin Profile Nyloc Nut [8].



STEP 2

- To secure the 3-Bar Keyhole Gunrack, insert the Keyhole Peg into the keyhole slot and slide it downward until it locks into place.

- **!** Ensure Keyhole Peg is in locked position before use as shown in 2-B.



ROGUE



**SCAN FOR
INSTRUCTIONS**



**IRON GAME
PROGRAMMING**